

# XS7C4A1MPP20

inductive sensor XS7 40x40x117 - PBT - Sn15  
mm - 24..240VAC/DC - terminals



## Main

|                                    |   |
|------------------------------------|---|
| Range of product                   | OsiSense XS   |
| Series name                        | General purpose   |
| Sensor type                        | Inductive proximity sensor  |
| Device application                 | -   |
| Sensor name                        | XS7   |
| Sensor design                      | Form 40 x 40 x 117  |
| Size                               | 117 mm  |
| Body type                          | Fixed   |
| Detector flush mounting acceptance | Flush mountable   |
| Material                           | Plastic   |
| Enclosure material                 | PBT   |
| Type of output signal              | Discrete  |
| Wiring technique                   | 2-wire  |
| [Sn] nominal sensing distance      | 15 mm   |
| Discrete output function           | 1 NO or 1 NC programmable   |
| Output circuit type                | AC/DC   |
| Electrical connection              | Screw-clamp terminals, clamping capacity: 4 x 1.5 mm <sup>2</sup>                             |
| [Us] rated supply voltage          | 24...240 V DC<br>24...240 V AC 50/60 Hz   |
| Switching capacity in mA           | 5...200 mA DC<br>5...300 mA AC  |
| IP degree of protection            | IP65 conforming to IEC 60529<br>IP67 conforming to IEC 60529<br>IP69K conforming to DIN 40050 |

## Complementary

|                |                         |
|----------------|-------------------------|
| Detection face | 5 positions turret head |
| Front material | PBT                     |

|                       |   |
|-----------------------|---|
| Operating zone        | 0...12 mm   |
| Differential travel   | 3...15% of Sr   |
| Repeat accuracy       | <= 3% of Sr   |
| Cable entry number    | 1 tapped entry for M20 x 1.5 cable gland                        |
| Status LED            | 1 LED green for supply on<br>1 LED yellow for output state      |
| Supply voltage limits | 20...264 V AC/DC  |
| Residual current      | <= 1.5 mA for open state 120 V<br><= 0.6 mA for open state 24 V |
| Switching frequency   | <= 25 Hz AC<br><= 50 Hz DC                                      |
| Voltage drop          | <= 5.5 V at closed state  |
| Delay first up        | <= 7.5 ms   |
| Delay response        | <= 1.2 ms   |
| Delay recovery        | <= 1.8 ms   |
| Marking               | CE  |
| Height                | 40 mm   |
| Length                | 40 mm   |
| Width                 | 117 mm  |
| Product weight        | 0.244 kg  |

## Environment

|                                       |   |
|---------------------------------------|---|
| Product certifications                | UL<br>CSA<br>CCC  |
| Ambient air temperature for operation | -25...70 °C   |
| Ambient air temperature for storage   | -40...85 °C   |
| Vibration resistance                  | 25 gn amplitude = +/- 2 mm (f = 10...55 Hz) conforming to IEC 60068-2-6 |
| Shock resistance                      | 50 gn for 11 ms conforming to EN 60068-2-27                             |

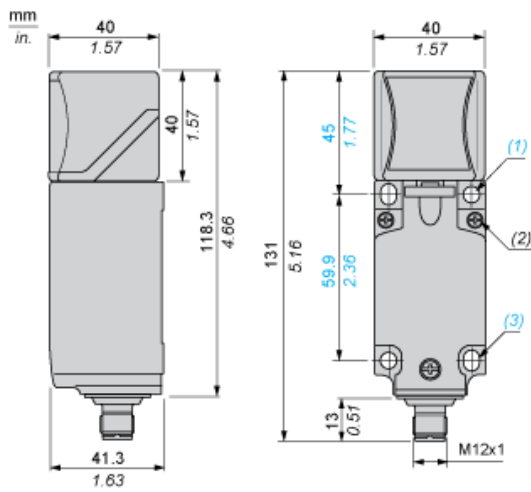
## Offer Sustainability

|                                  |   |
|----------------------------------|---|
| Sustainable offer status         | Green Premium product   |
| RoHS (date code: YYWW)           | Compliant - since 1213 - Schneider Electric declaration of conformity<br><a href="#">Schneider Electric declaration of conformity</a> |
| REACH                            | Reference not containing SVHC above the threshold<br><a href="#">Reference not containing SVHC above the threshold</a>                |
| Product environmental profile    | Available<br><a href="#">Product environmental</a>  |
| Product end of life instructions | Need no specific recycling operations   |

## Contractual warranty

|                 |           |
|-----------------|-----------|
| Warranty period | 18 months |
|-----------------|-----------|

Dimensions



- (1) 2 holes  $\varnothing$  5,45 mm /  $\varnothing$  0.21 in. (Tightening torque: &lt; 1,5 Nm / &lt; 13.3 lb-in.)
- (2) 3 screws M3,5. (Tightening torque: &lt; 1,2 Nm / &lt; 10.6 lb-in.)
- (3) 2 elongated holes 5,4 x 7,4 mm / 0.21 x 0.29 in. (Tightening torque: &lt; 1,5 Nm / &lt; 13.3 lb-in.)

Mounting

Head Positions



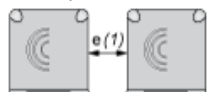
---

Setting-up Precautions

---

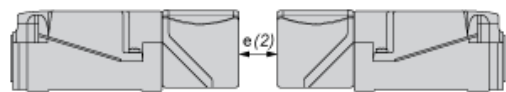
Minimum Mounting Distances (mm)

Side by Side



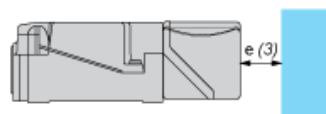
$e(1) \geq 60$

Face to Face



$e(2) \geq 20$

Facing a Metal Object



$e(3) \geq 45$

---

## Wiring Schemes

---

### 2-Wire AC or DC (Programmable)

