



Main

Range of product	Preventa Safety automation
Product or component type	Preventa safety module
Safety module name	XPSABV
Safety module application	For emergency stop and switch monitoring
Safety level	Can reach PL d/category 3 conforming to EN/ISO 13849-1 time delay safety outputs Can reach PL e/category 4 conforming to EN/ISO 13849-1 instantaneous safety outputs Can reach SILCL 3 conforming to EN/IEC 62061 instantaneous safety outputs Can reach SILCL 2 conforming to EN/IEC 62061 time delay safety outputs
Safety reliability data	MTTFd = 53 years conforming to EN/ISO 13849-1 instantaneous safety outputs MTTFd = 53 years conforming to EN/ISO 13849-1 time delay safety outputs DC > 99 % conforming to EN/ISO 13849-1 instantaneous safety outputs DC = 60...90 % conforming to EN/ISO 13849-1 time delay safety outputs PFHd = 3E-8 1/h conforming to EN/IEC 62061 instantaneous safety outputs PFHd = 2E-7 1/h conforming to EN/IEC 62061 time delay safety outputs
Connections - terminals	Spring terminals, removable terminal block, clamping capacity: 1 x 0.2...1 x 2.5 mm ² solid cable without cable end Spring terminals, removable terminal block, clamping capacity: 1 x 0.2...1 x 2.5 mm ² flexible cable without cable end Spring terminals, removable terminal block, clamping capacity: 1 x 0.25...1 x 2.5 mm ² flexible cable with cable end, without bezel Spring terminals, removable terminal block, clamping capacity: 1 x 0.25...1 x 2.5 mm ² flexible cable with cable end, with bezel Spring terminals, removable terminal block, clamping capacity: 2 x 0.5...2 x 1 mm ² flexible cable with cable end, with double bezel Spring terminals, removable terminal block
Output type	Relay instantaneous opening 2 NO, volt-free Relay time delay opening 1 NO, volt-free
Number of additional circuits	0
[Us] rated supply voltage	24 V DC (- 15...10 %)

Complementary

Synchronisation time between inputs	< 0.5 s
Power consumption in W	<= 3 W

Input protection type	Internal, electronic
Time delay range	0.15...3 s 1.5...30 s
Control circuit voltage	24 V DC
Breaking capacity	B300 : 3600 VA, AC-15 (inrush) B300 : 360 VA, AC-15 (holding)
Breaking capacity	1.5 A at 24 V (DC-13) time constant: 50 ms for relay output
Output thermal current	6 A for instantaneous and time delay outputs
[I _{th}] conventional free air thermal current	12 A
Associated fuse rating	6 A fuse type gG for instantaneous and time delay outputs
Minimum output current	10 mA for relay output
Minimum output voltage	17 V for relay output
Response time on input open	<= 200 ms
[U _i] rated insulation voltage	300 V (degree of pollution: 2) conforming to DIN VDE 0110 part 1 300 V (degree of pollution: 2) conforming to IEC 60947-5-1
[U _{imp}] rated impulse withstand voltage	4 kV overvoltage category III conforming to IEC 60947-5-1 4 kV overvoltage category III conforming to DIN VDE 0110 part 1
Local signalling	3 LEDs
Mounting support	35 mm symmetrical DIN rail
Product weight	0.275 kg

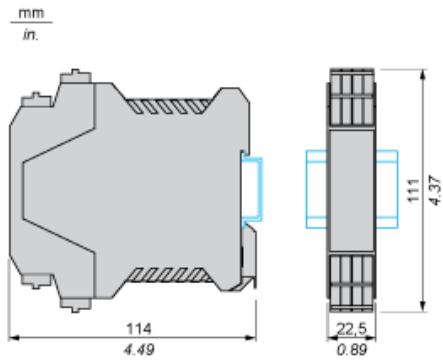
Environment

Standards	EN/IEC 60204-1 EN/IEC 60947-5-1 EN/ISO 13850 EN 1088/ISO 14119
Product certifications	UL BG CSA
IP degree of protection	IP40 conforming to EN/IEC 60529 IP20 conforming to EN/IEC 60529
Ambient air temperature for operation	-25...55 °C
Ambient air temperature for storage	-25...75 °C

Contractual warranty

Warranty period	18 months
-----------------	-----------

Dimensions



Wiring Diagrams

Refer to the Instruction Sheet

To download the instruction sheet, follow below procedure:

The screenshot shows the product page for XPSAC5121. On the left, a navigation menu under 'Discover XPSAC5121 by' lists 'Download & Documents' as the selected option, marked with a circled '1'. The main content area shows a 'Download & Documents 1 to 3 of 3 (Total: -1)' section. Under the 'Instruction sheet' category, the document 'XPSAC... Safety module for emergency stop and switch monitoring' is highlighted with a red box and a circled '2'. Other categories like 'Image of product' and 'Certificate' are also visible.

- 1 Click on Download & Documents.
- 2 Click on Instruction sheet.