

# XPSATR39530C

module XPSATR - Emergency stop and protective guard - 115-230VAC, time delay 30s



## Main

Range of product	Preventa Safety automation
Product or component type	Preventa safety module
Safety module name	XPSATR
Safety module application	For emergency stop and protective guard applications
Function of module	Emergency stop monitoring 2-channel wiring Protective guard monitoring Emergency stop monitoring 1-channel wiring
Safety level	Can reach SILCL 3 conforming to EN/IEC 62061 time delay safety outputs Can reach PL e/category 4 conforming to EN/ISO 13849-1 instantaneous safety outputs
Safety reliability data	MTTFd = 85 years conforming to EN/ISO 13849-1 PFHd = 2E-9 1/h conforming to EN/IEC 62061 DC > 99 % conforming to EN/ISO 13849-1
Type of start	Manual Automatic
Connections - terminals	Cage clamp terminals, removable terminal block Cage clamp terminals, removable terminal block, clamping capacity: 1 x 0.25...1 x 2.5 mm <sup>2</sup> flexible cable with cable end, with bezel Cage clamp terminals, removable terminal block, clamping capacity: 1 x 0.25...1 x 2.5 mm <sup>2</sup> flexible cable with cable end, without bezel Cage clamp terminals, removable terminal block, clamping capacity: 1 x 0.2...1 x 2.5 mm <sup>2</sup> solid or flexible cable without cable end Cage clamp terminals, removable terminal block, clamping capacity: 2 x 0.5...2 x 1 mm <sup>2</sup> flexible cable with cable end, with bezel
Output type	Relay instantaneous opening 3 NO, volt-free Relay time delay opening 3 NO, volt-free
Number of additional circuits	1 NC
[Us] rated supply voltage	115...230 V AC (- 15...10 %)

## Complementary

Synchronisation time between inputs	1 s
Supply frequency	50/60 Hz
Power consumption in W	3.2 W AC

Power consumption in VA	<= 6.3 VA
Input protection type	Internal, electronic
Time delay range	0...30 s
Control circuit voltage	24 V DC
Breaking capacity	3 A at 24 V (DC-13) for relay output
Output thermal current	6 A for instantaneous and time delay outputs
[I <sub>th</sub> ] conventional free air thermal current	8 A
Associated fuse rating	6 A fuse type gG for instantaneous and time delay outputs conforming to EN/IEC 60947-5-1, DIN VDE 0660 part 200
Minimum output current	10 mA for relay output
Minimum output voltage	17 V for relay output
Response time on input open	<= 20 ms
[U <sub>i</sub> ] rated insulation voltage	300 V
[U <sub>imp</sub> ] rated impulse withstand voltage	4 kV overvoltage category III conforming to EN/IEC 60947-5-1, DIN VDE 0110 parts 1 & 2
Local signalling	5 LEDs
Mounting support	35 mm symmetrical DIN rail

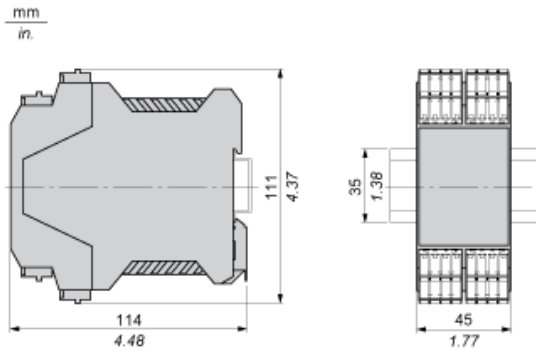
## Environment

Standards	EN/IEC 61496-1 EN 60204-1 EN 50156-1 EN 62061 EN/IEC 60947-5-1 EN/ISO 13849-1
Product certifications	CSA TÜV UL
IP degree of protection	IP20 (terminals) conforming to EN/IEC 60529 IP40 (enclosure) conforming to EN/IEC 60529
Ambient air temperature for operation	-25...55 °C
Ambient air temperature for storage	-25...75 °C

## Contractual warranty

Warranty period	18 months
-----------------	-----------

Dimensions



---

## Wiring Diagrams

---

### Refer to the Instruction Sheet

To download the instruction sheet, follow below procedure:

**XPSAC5121**  
module XPSAC - Emergency stop - 24 V AC DC  
[Download XPSAC5121 product datasheet](#)

Download & Documents 1 to 3 of 3 (Total: -1)

**Instruction sheet**

XPSAC... Safety module for emergency stop and switch monitoring	English 2012-07-04	pdf (29)
---	--------------------	----------

**Image of product**

Emergency stop and switch monitoring	2010-11-10	(Select :)
--------------------------------------	------------	------------

**Certificate**

Russian certificate	English 2010-07-07	pdf (60)
---------------------	--------------------	----------

1

2

- 1 Click on Download & Documents.
- 2 Click on Instruction sheet.