



### Main

Range of product	Preventa Safety automation
Product or component type	Preventa safety module
Safety module name	XPSECME
Safety module application	Increasing the number of safety contacts
Function of module	Increasing the number of safety contacts
Safety level	Can reach PL e/category 4 conforming to EN/ISO 13849-1 can reach the maximum safety level of module base Can reach SILCL 3 conforming to EN/IEC 62061 can reach the maximum safety level of module base
Safety reliability data	MTTFd = 100 years conforming to EN/ISO 13849-1 DC = 60...90 % conforming to EN/ISO 13849-1 PFHd = 2E-7 1/h conforming to EN/IEC 62061
Output type	Relay 4 NO, volt-free
[Us] rated supply voltage	24 V AC/DC (- 15...10 %)
Number of additional circuits	3 NC

### Complementary

Supply frequency	50/60 Hz
Power consumption	<= 5 VA
Input protection type	Internal, electronic
Breaking capacity	B300 : holding 360 VA AC-15 for relay output B300 : inrush 3600 VA AC-15 for relay output
Breaking capacity	1.5 A / 24 V - L/R = 50 ms, DC-13 for relay output 20 mA / 24 V for solid state output circuit
Output thermal current	6 A per relay for relay output
[Ith] conventional free air thermal current	< 12 A for relay output
Associated fuse rating	6 A gG for relay output conforming to EN/IEC 60947-5-1, DIN VDE 0660 part 200
Minimum output current	10 mA for relay output
Minimum output voltage	17 V for relay output

Response time on input open	<= 20 ms
[Ui] rated insulation voltage	300 V, degree of pollution 2 conforming to EN/IEC 60947-5-1, DIN VDE 0110 parts 1 & 2
[Uimp] rated impulse withstand voltage	4 kV overvoltage category III, conforming to EN/IEC 60947-5-1, DIN VDE 0110 parts 1 & 2
Local signalling	2 LEDs
Connections - terminals	Spring terminals, removable terminal block, clamping capacity: 1 x 0.2...1 x 2.5 mm <sup>2</sup> solid cable without cable end Spring terminals, removable terminal block, clamping capacity: 1 x 0.2...1 x 2.5 mm <sup>2</sup> flexible cable without cable end Spring terminals, removable terminal block, clamping capacity: 1 x 0.25...1 x 2.5 mm <sup>2</sup> flexible cable with cable end, without bezel Spring terminals, removable terminal block, clamping capacity: 1 x 0.25...1 x 2.5 mm <sup>2</sup> flexible cable with cable end, with bezel Spring terminals, removable terminal block, clamping capacity: 2 x 0.5...2 x 1 mm <sup>2</sup> flexible cable with cable end, with double bezel
Mounting support	35 mm symmetrical DIN rail
Product weight	0.27 kg

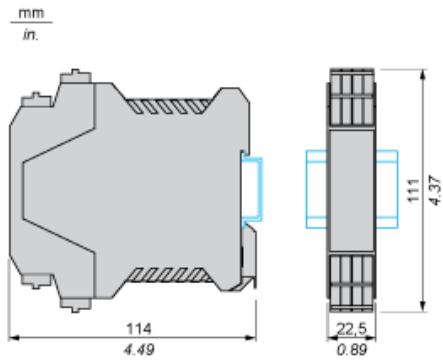
## Environment

Standards	EN/IEC 60204-1 EN/IEC 60947-5-1
Product certifications	BG UL CSA
IP degree of protection	IP20(Terminals) conforming to EN/IEC 60529 IP40(Enclosure) conforming to EN/IEC 60529
Ambient air temperature for operation	-25...55 °C
Ambient air temperature for storage	-25...75 °C

## Contractual warranty

Warranty period	18 months
-----------------	-----------

Dimensions



## Wiring Diagrams

### Refer to the Instruction Sheet

To download the instruction sheet, follow below procedure:

**XPSAC5121**  
module XPSAC - Emergency stop - 24 V AC DC  
[Download XPSAC5121 product datasheet](#)

Download & Documents 1 to 3 of 3 (Total: -1)

**Instruction sheet**

XPSAC... Safety module for emergency stop and switch monitoring	English 2012-07-04	pdf (29)
---	--------------------	----------

**Image of product**

Emergency stop and switch monitoring	2010-11-10	(Select :)
--------------------------------------	------------	------------

**Certificate**

Russian certificate	English 2010-07-07	pdf (60)
---------------------	--------------------	----------

1

2

- 1 Click on Download & Documents.
- 2 Click on Instruction sheet.