



### Main

Range of product	Modicon M238 logic controller
Product or component type	Input/Output analog module
Analogue input number	2
Input level	High level
Analogue input type	Current 4...20 mA non differential Voltage 0...10 V non differential
Analogue output number	1
Analogue output type	Current 4...20 mA Voltage 0...10 V
Cross talk	$\leq 2$ LSB

### Complementary

Range compatibility	Advantys OTB Twido
Analogue input resolution	12 bits
Analogue output resolution	12 bits
LSB value	2.5 mV voltage 4.8 $\mu$ A current
Permissible continuous overload	13 V voltage 40 mA current
Input impedance	$\geq 1$ MOhm voltage $\geq 10$ Ohm current
Load type	Resistive
Load impedance ohmic	$\leq 300$ Ohm current $\geq 2000$ Ohm voltage
Stabilisation time	20 ms
Conversion time	20 ms + 1 controller cycle time
Sampling duration	$\leq 10$ ms
Acquisition period	60 ms per channel + 1 controller cycle time

Disclaimer: This documentation is not intended as a substitute for and is not to be used for determining suitability or reliability of these products for specific user applications

Measurement error	+/- 0.2 % of full scale 0...10 V 0...10 V 25 °C +/- 0.2 % of full scale 4...20 mA 4...20 mA 25 °C
Temperature coefficient	+/-0.006 %FS/°C 0...10 V +/-0.006 %FS/°C 4...20 mA +/-0.015 %FS/°C 0...10 V 0...10 V +/-0.015 %FS/°C 4...20 mA 4...20 mA
Repeat accuracy	+/-0.5 %FS input/output
Non-linearity	+/- 0.2 %FS current current +/- 0.2 %FS voltage voltage
Output error	+/- 1 %FS
Output ripple	<= 1 LSB
Total error	+/-1 %FS current current +/-1 %FS voltage voltage
Type of cable	Shielded cable
Insulation between channel and internal logic	Photocoupler
Supply	External supply
[Us] rated supply voltage	24 V DC
Supply voltage limits	19.2...30 V
Electrical connection	1 removable screw terminal block
Current consumption	50 mA 24 V DC external 50 mA 5 V DC internal
Product weight	0.085 kg

## Environment

Dielectric strength	500 V between I/O channel 500 V between the I/O and internal logic 500 V between the I/O and the external supply circuit
Width	23.5 mm
Depth	70 mm
Height	90 mm

## Offer Sustainability

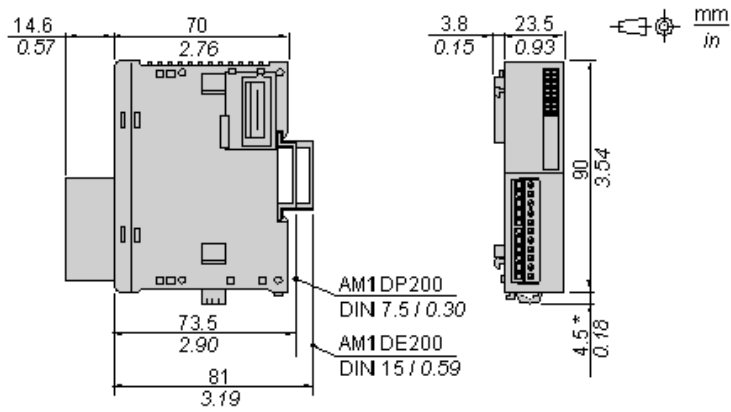
Sustainable offer status	Green Premium product
RoHS (date code: YYWW)	Compliant - since 1039 - Schneider Electric declaration of conformity <a href="#">Schneider Electric declaration of conformity</a>
REACH	Reference not containing SVHC above the threshold <a href="#">Reference not containing SVHC above the threshold</a>
Product environmental profile	Available <a href="#">Product environmental</a>
Product end of life instructions	Available <a href="#">Product environmental</a>

## Contractual warranty

Warranty period	18 months
-----------------	-----------

Analog Mixed I/O Module (3-channel, Voltage/Current)

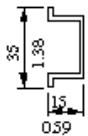
Dimensions



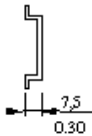
NOTE: \* 8.5 mm (0.33 in) when the clip-on lock is pulled out.

DIN Rail Mounting

AM1DE200  
 IEC/EN 60715



AM1DP200



AM1ED200



DZ5MB200



Rail depth	Catalogue part number
15 mm (0.59 in.)	AM1DE200
7,5 mm (0.30 in.)	AM1DP200

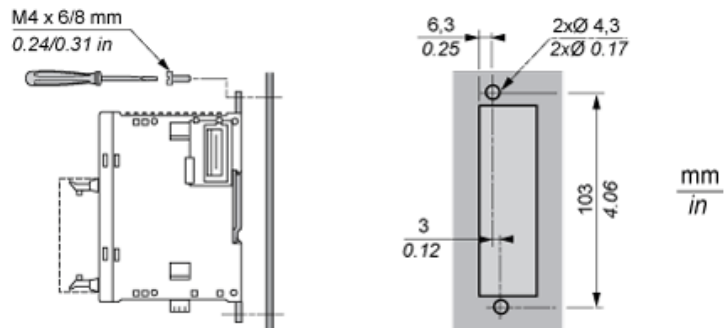
NOTE: Do not use AM1ED200 and DZ5MB200

---

Module Mounting on a Panel Surface

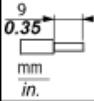


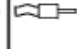



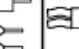
---

Mounting Hole Layout



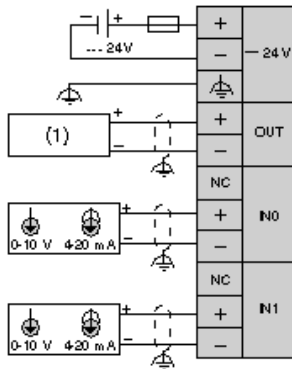
Wiring Requirements

Cable Types and Wire Sizes for Removable Screw Terminal Block

							
mm <sup>2</sup>	0,14...1,5	0,25...0,5	0,25...1,5	0,14...0,5	0,14...0,75	0,25...0,34	0,5
AWG	26...16	24...20	24...16	26...20	26...18	24...22	20

## Analog Mixed I/O Module (3-channel, Voltage/Current)

### Wiring Diagram



(1) Voltage/current preactuator

The (-) poles of inputs IN0 and IN1 are connected internally.