



Main

Range of product	Modicon M238 logic controller
Product or component type	Discrete output module
Discrete output number	32
Discrete output type	Transistor
Discrete output voltage	24 V
Discrete output logic	Source
Discrete output current	0.4 A

Complementary

Range compatibility	Advantys OTB Twido
Output voltage limits	20.4...28.8 V
Current per channel	0.48 A
Current per output common	2 A
Number of common point	2
Response time	450 μ s from state 0 to state 1 450 μ s from state 1 to state 0
[Ures] residual voltage	\leq 0.4 V at state 1
Leakage current	0.1 mA
Inductive load	\leq 10 mH
Tungsten load	\leq 9.6 W
Short-circuit protection	With automatic reactivation
Overload protection	With automatic reactivation
Isolation between channels	None
Isolation between channels and internal logic	500 V for 1 minute
Current consumption	25 mA 5 V DC at state 1 for all output 40 mA 24 V DC at state 1 for all output

Disclaimer: This documentation is not intended as a substitute for and is not to be used for determining suitability or reliability of these products for specific user applications.

Local signalling	2 display blocks
Electrical connection	1 connector HE10
Mounting support	35 mm symmetrical DIN rail
Product weight	0.105 kg

Environment

Depth	81.3 mm
Height	90 mm
Width	33.5 mm

Offer Sustainability

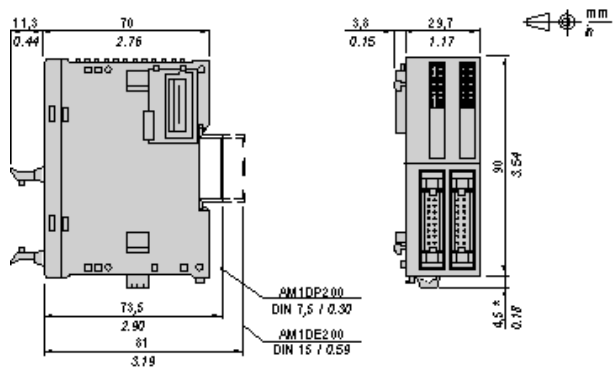
Sustainable offer status	Green Premium product
RoHS (date code: YYWW)	Compliant - since 1039 - Schneider Electric declaration of conformity Schneider Electric declaration of conformity
REACH	Reference not containing SVHC above the threshold Reference not containing SVHC above the threshold
Product environmental profile	Available Product environmental
Product end of life instructions	Available End of life manual

Contractual warranty

Warranty period	18 months
-----------------	-----------

Digital Transistor Output Module (32-channel, Source)

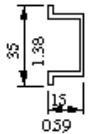
Dimensions



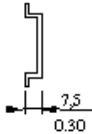
NOTE: * 8.5 mm (0.33 in) when the clamp is pulled out.

DIN Rail Mounting

AM1DE200
 IEC/EN 60715



AM1DP200



AM1ED200



DZ5MB200

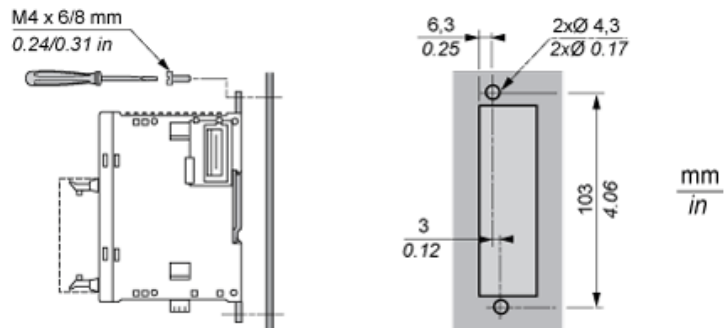


Rail depth	Catalogue part number
15 mm (0.59 in.)	AM1DE200
7,5 mm (0.30 in.)	AM1DP200

NOTE: Do not use AM1ED200 and DZ5MB200

Module Mounting on a Panel Surface

Mounting Hole Layout



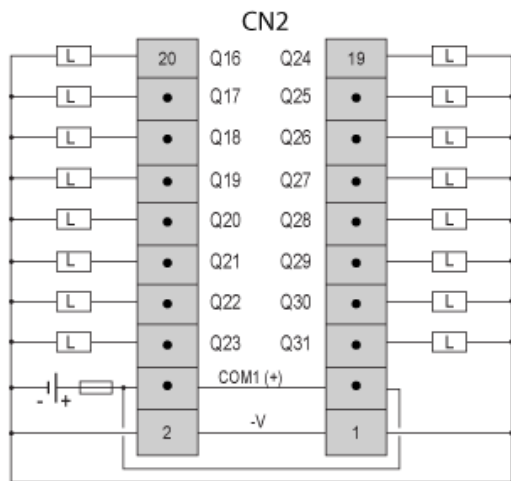
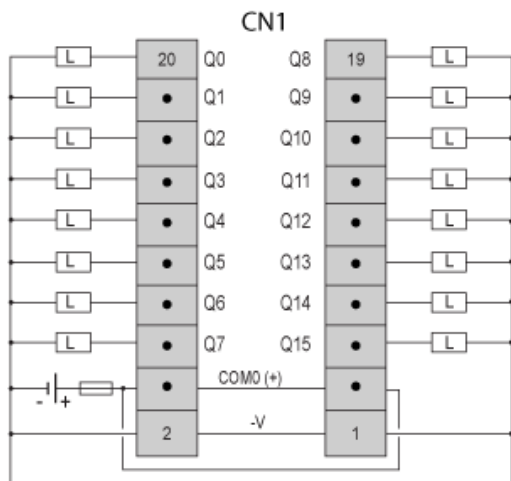
Wiring Requirements

Cable Types and Wire Sizes for Removable Screw Terminal Block

mm ²	0,14...1,5	0,25...0,5	0,25...1,5	0,14...0,5	0,14...0,75	0,25...0,34	0,5
AWG	26...16	24...20	24...16	26...20	26...18	24...22	20

Digital Transistor Output Module (32-channel, Source)

Wiring Diagram



L Load

Fuse value for the load: 0.4 A

Fuse value for the power supply: 2 A