



Main

Range of product	Magelis HMIZ
Product or component type	Keyboard
Product compatibility	HMISCU HMIGTO HMISTU HMISTO HMIGXO
Device application	Industrial machines Food and beverage
Provided equipment	1 user manual 1 tightening wrench 1 anti-rotation tee 1 fixing nut 1 USB cable type A/mini-B of 1.8 m 1 USB type mini-B cable clamp 1 replaceable label for function keys

Complementary

Software designation	Vijeo Designer version >= V6.2
Connector type	Mini B USB
Number of key	20
Number of customisable keys	12 with integrated LEDs
Colour of cover	Front dark grey cover
[Us] rated supply voltage	5 V DC, connector type: USB 2.0
Supply voltage limits	4.75...5.25 V DC
Power consumption	0.75 W
Shock resistance	147 m/s ² (3 chocks in each direction X, Y and Z) conforming to IEC 61131-2
Electromagnetic compatibility	Electrostatic discharge immunity test - test level 8 kV (air discharge) conforming to IEC 61000-4-2 Electrical fast transient/burst immunity test - test level 2 kV (power ports) conforming to IEC 61000-4-4 Electrical fast transient/burst immunity test - test level 1 kV (signal ports) conforming to IEC 61000-4-4

Electrostatic discharge immunity test - test level 6 kV (contact discharge) conforming to IEC 61000-4-2

Mounting location	Flat surface
Quantity per set	1 piece
Height	80 mm
Width	97.6 mm
Depth	31.5 mm
Product weight	0.15 kg

Environment

Ambient air temperature for storage	-20...60 °C
Ambient air temperature for operation	0...55 °C
Relative humidity	10...90 % at 0...39 °C (non-condensing)
Pollution degree	2
Environmental characteristic	Corrosive gas free
Operating altitude	<= 2000 m
Vibration resistance	3.5 mm (f=5...9 Hz) conforming to IEC 61131-2
IP degree of protection	IP65 front panel (in enclosure)
NEMA degree of protection	NEMA 4X for indoor installation NEMA 4X for enclosed outdoor
Standards	UL 508 ANSI/ISA 12.12.01 ROHS directive 2002/95/EC CSA C22.2 No 213 EMC 2004/108/EC CSA C22.2 No 142 WEEE directive 2002/96/EC RoHS China SJ/T 11363-2006 EN 61000-6-4 EN 61000-6-2
Product certifications	CE UL/CUL listed EAC RCM
Level or class	Class I Division 2 Groups A/B/C/D

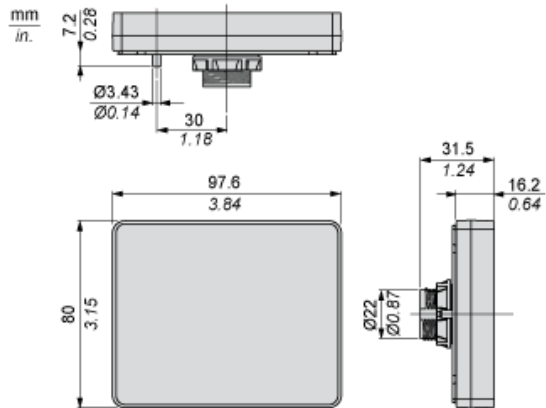
Offer Sustainability

Sustainable offer status	Not Green Premium product
RoHS (date code: YYWW)	Compliant - since 1346 - Schneider Electric declaration of conformity Schneider Electric declaration of conformity
REACH	Reference not containing SVHC above the threshold Reference not containing SVHC above the threshold

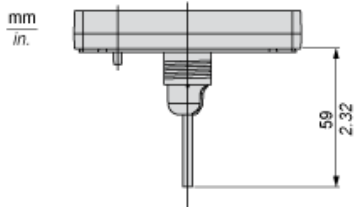
Contractual warranty

Warranty period	18 months
-----------------	-----------

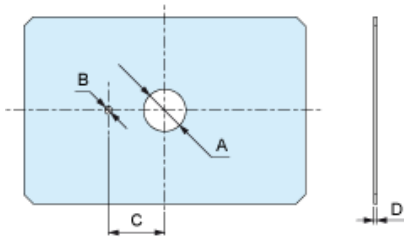
Dimensions



Dimensions with Cables



Mounting of Panel Cut-Out



Dimensions in mm

A	B	C	D
22.50 _{-0.30}	4 _{-0.20}	30 _{-0.20}	1.5...6

Dimensions in in.

A	B	C	D
0.88 _{-0.01}	0.15 _{-0.007}	1.18 _{-0.007}	0.06...0.23