



### Main

Range of product	Harmony 9001SK
Product or component type	Head for spring return push-button
Device short name	9001SK
Operator profile	Recessed, marking: unmarked
Operator additional information	High guard with set of 7 color caps

### Complementary

Mounting diameter	30 mm
Shape of signaling unit head	Round
Type of operator	Spring return
Product weight	0.05 kg

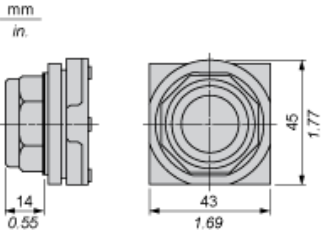
### Offer Sustainability

RoHS (date code: YYWW)	Compliant - since 0921 - Schneider Electric declaration of conformity <a href="#">Schneider Electric declaration of conformity</a>
REACH	Reference not containing SVHC above the threshold <a href="#">Reference not containing SVHC above the threshold</a>

### Contractual warranty

Warranty period	18 months
-----------------	-----------

Dimensions

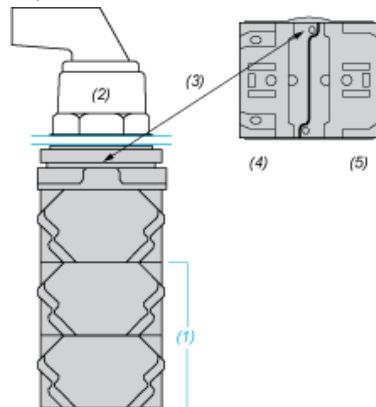


---

Contact Block Mounting Position

---

Top and Rear views



- (1) It is possible to mount up to 3 levels of contacts blocks (maximum of 6 contacts blocks)
- (2) Operator
- (3) Locating notch
- (4) Side 1
- (5) Side 2