

Main

Range of product	Twido
Accessory / separate part category	Adaptation accessories
Accessory / separate part type	Adaptor
Accessory / separate part designation	Serial interface adaptor
Product compatibility	TWDLCAA40DRF TWDLMDA20DRT TWDXCPODM TWDLCA24DRF TWDLCA16DRF TWDLCAA16DRF TWDLCAA24DRF TWDLMDA40DUK TWDLCAE40DRF TWDLCA40DRF TWDLMDA20DUK TWDLCAE40DRF TWDLCA40DRF TWDLMDA20DTK TWDLMDA40DTK
Accessory / separate part destination	Base controller Integrated display module
Communication port support	RS485
Electrical connection	Screw terminal

Complementary

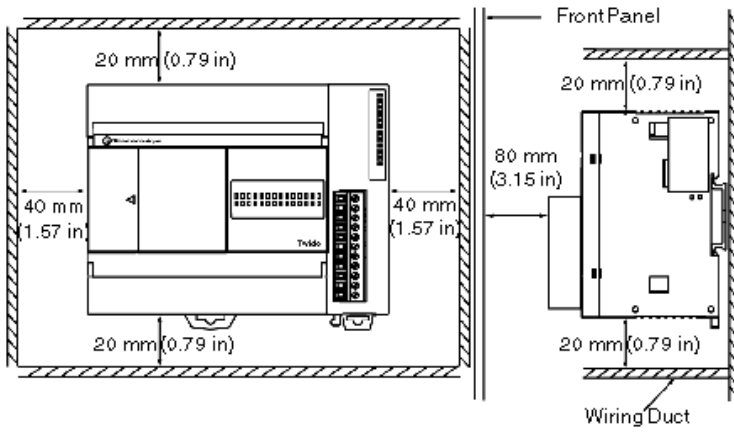
Product weight	0.01 kg
----------------	---------

Contractual warranty

Warranty period	18 months
-----------------	-----------

Minimum Clearances

For a Compact Base and Expansion I/O Modules



For a Modular Base and Expansion I/O Modules

