



Main

| | |
|---|--|
| Range of product | OsiSense XM |
| Product or component type | Electronic pressure sensors |
| Pressure sensor type | Pressure transmitter |
| Pressure switch type of operation | Pressure transmitter |
| Device short name | XMLR |
| Pressure sensor size | 10 MPa 1450 psi 100 bar |
| Maximum permissible accidental pressure | 300 bar 30 MPa 4350 psi |
| Destruction pressure | 600 bar 8700 psi 60 MPa |
| Controlled fluid | Fresh water (0...80 °C) Air (-20...80 °C) Hydraulic oil (-20...80 °C) Refrigeration fluid (-20...80 °C) |
| Fluid connection type | 1/4" - 18 NPT (female) |
| [Us] rated supply voltage | 24 V DC SELV, voltage limits: 17...33 V |

Complementary

| | |
|---------------------------------|---------------------------|
| Current consumption | <= 50 mA |
| Electrical connection | 4 pins M12 male connector |
| Type of output signal | Analogue |
| Analogue output function | 4...20 mA |
| Analogue output function | 4...20 mA |
| Materials in contact with fluid | 316L stainless steel |
| Front material | Polyester |
| Housing material | 316L stainless steel |

Polyacrylamide

| | |
|--|---|
| Operating position | Any position, but disposals can falsified the measurement in case of upside down mounting |
| Protection type | Reverse polarity Short-circuit protection Overvoltage protection Overload protection |
| Response time on output | <= 10 ms for analog output |
| Display type | 4 digits 7 segments |
| Display response time type | Fast 50 ms Normal 200 ms Slow 600 ms |
| Delay first up | <= 300 ms |
| Accuracy | <= 1 % of the measuring range |
| Linearity error | <= 0.5 % of the measuring range |
| Hysteresis | <= 0.2 % of the measuring range |
| Measurement accuracy | <= 0.6 % of the measuring range |
| Repeat accuracy | <= 0.2 % of the measuring range |
| Drift of the sensitivity | +/- 0.03 % of measuring range/°C |
| Drift of the zero point | +/- 0.1 % of measuring range/°C |
| Display accuracy | <= 1 % of the measuring range |
| Mechanical durability | >= 10000000 cycles |
| Depth | 42 mm |
| Height | 88 mm |
| Width | 41 mm |
| Product weight | 0.186 kg |
| [Uimp] rated impulse withstand voltage | 0.5 kV DC |
| Electromagnetic compatibility | Electrostatic discharge immunity test - test level 8 kV air, 4 kV contact conforming to EN/IEC 61000-4-2 Susceptibility to electromagnetic fields - test level 10 V/m (80...2000 MHz) conforming to EN/IEC 61000-4-3 Electrical fast transient/burst immunity test - test level 2 kV conforming to EN/IEC 61000-4-4 Surge immunity test - test level 1 kV conforming to EN/IEC 61000-4-5 Immunity to conducted RF disturbances - test level 10 V (0.15...80 MHz) conforming to EN/IEC 61000-4-6 |

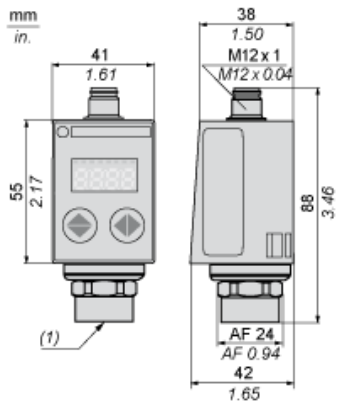
Environment

| | |
|---------------------------------------|--|
| Marking | CE |
| Product certifications | EAC cULus |
| Standards | EN/IEC 61326-2-3 UL 61010-1 |
| Ambient air temperature for operation | -20...80 °C |
| Ambient air temperature for storage | -40...80 °C |
| IP degree of protection | IP65 conforming to EN/IEC 60529 IP67 conforming to EN/IEC 60529 |
| Vibration resistance | 20 gn (f = 10...2000 Hz) conforming to EN/IEC 60068-2-6 |
| Shock resistance | 50 gn conforming to EN/IEC 60068-2-27 |

Offer Sustainability

| | |
|--------------------------|---|
| Sustainable offer status | Not Green Premium product |
| RoHS (date code: YYWW) | Compliant - since 1351 - Schneider Electric declaration of conformity Schneider Electric declaration of conformity |
| REACH | Reference not containing SVHC above the threshold Reference not containing SVHC above the threshold |

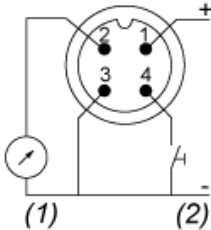
Dimensions



(1) Fluid entry: 1/4"-18NPT female

Connections and Schema

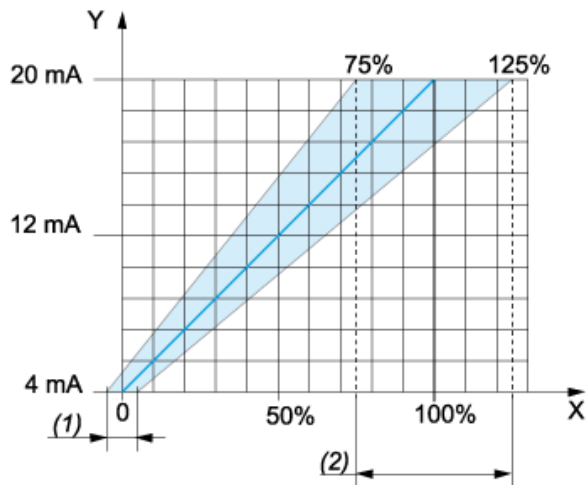
Connector Wiring



- (1) I Out or V Out
- (2) Test Input

Analogue Output Description

Analogue Output Signal



X : Pressure

Y : Analogue output signal

(1) An offset of +/-5% of nominal pressure can be compensated (with Cof Configuration menu. Cof: Offset Compensation)

(2) The analogue curve can be adjusted from -25% to +25% of nominal pressure (with AEP Configuration menu. AEP: analogue end point).