



### Main

Range of product	Modicon M238 logic controller
Product or component type	Discrete input module
Discrete input number	8
Discrete input voltage	120 V
Discrete input voltage type	AC

### Complementary

Range compatibility	Advantys OTB Twido
Input voltage limits	85...132 V
Discrete input current	7.5 mA
Input impedance	11 kOhm
Number of common point	1
Response time	25 ms at state 1 30 ms at state 0
Isolation between channels	None
Isolation between channels and internal logic	1500 V for 1 minute
Current consumption	55 mA 5 V DC at state 1
Local signalling	1 display block
Electrical connection	1 removable screw terminal block
Mounting support	35 mm symmetrical DIN rail
Product weight	0.085 kg

### Environment

Depth	70 mm
Height	90 mm
Width	23.5 mm

## Offer Sustainability

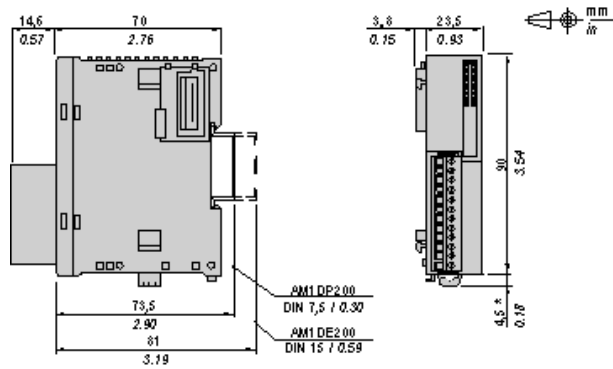
Sustainable offer status	Green Premium product
RoHS (date code: YYWW)	Compliant - since 1039 - Schneider Electric declaration of conformity <a href="#">Schneider Electric declaration of conformity</a>
REACH	Reference not containing SVHC above the threshold <a href="#">Reference not containing SVHC above the threshold</a>
Product environmental profile	Available
Product end of life instructions	Available

## Contractual warranty

Warranty period	18 months
-----------------	-----------

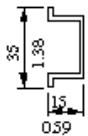
Digital Input Module (8-channel, 120 Vac)

Dimensions

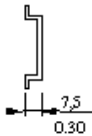


DIN Rail Mounting

AM1DE200  
IEC/EN 60715



AM1DP200



AM1ED200



DZ5MB200



Rail depth	Catalogue part number
15 mm (0.59 in.)	AM1DE200
7,5 mm (0.30 in.)	AM1DP200

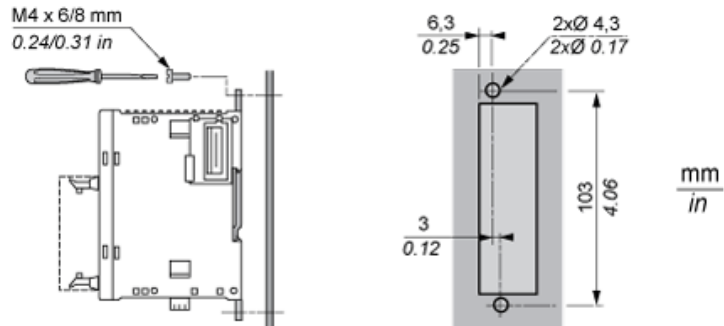
NOTE: Do not use AM1ED200 and DZ5MB200

---

Module Mounting on a Panel Surface

---

Mounting Hole Layout



Wiring Requirements

Cable Types and Wire Sizes for Removable Screw Terminal Block

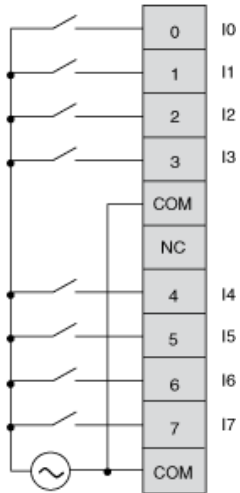
<p>9 0.35 mm in.</p>							
mm <sup>2</sup>	0,14...1,5	0,25...0,5	0,25...1,5	0,14...0,5	0,14...0,75	0,25...0,34	0,5
AWG	26...16	24...20	24...16	26...20	26...18	24...22	20

---

## Digital Input Module (8-channel, 120 Vac)

---

### Wiring Diagram



The two COM terminals are not connected together internally.