



Main

Range of product	Modicon M238 logic controller
Product or component type	Discrete input module
Discrete input number	8
Discrete input voltage	24 V
Discrete input voltage type	DC

Complementary

Range compatibility	Twido Advantys OTB
Input voltage limits	20.4...28.8 V
Discrete input logic	Sink or source
Discrete input current	7 mA
Input impedance	3.4 kOhm
Number of common point	1
Response time	4 ms at state 0 4 ms at state 1
Isolation between channels	None
Isolation between channels and internal logic	500 V for 1 minute
Current consumption	25 mA 5 V DC at state 1 for all input
Local signalling	1 display block
Electrical connection	1 removable screw terminal block
Mounting support	35 mm symmetrical DIN rail
Product weight	0.1 kg

Environment

Depth	84.6 mm
Height	90 mm

Width	23.5 mm
-------	---------

Offer Sustainability

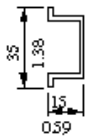
Sustainable offer status	Green Premium product
RoHS (date code: YYWW)	Compliant - since 1039 - Schneider Electric declaration of conformity Schneider Electric declaration of conformity
REACH	Reference not containing SVHC above the threshold Reference not containing SVHC above the threshold
Product environmental profile	Available Product environmental
Product end of life instructions	Available End of life manual

Contractual warranty

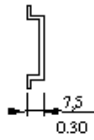
Warranty period	18 months
-----------------	-----------

DIN Rail Mounting

AM1DE200
IEC/EN 60715



AM1DP200



AM1ED200



DZ5MB200

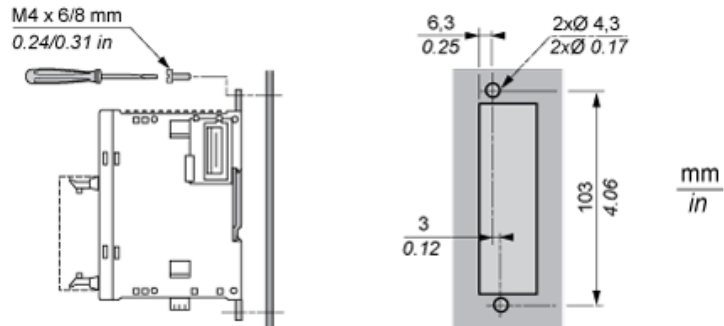


Rail depth	Catalogue part number
15 mm (0.59 in.)	AM1DE200
7,5 mm (0.30 in.)	AM1DP200

NOTE: Do not use AM1ED200 and DZ5MB200

Module Mounting on a Panel Surface

Mounting Hole Layout



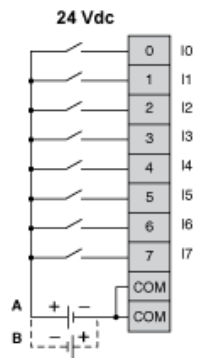
Wiring Requirements

Cable Types and Wire Sizes for Removable Screw Terminal Block

mm ²	0,14...1,5	0,25...0,5	0,25...1,5	0,14...0,5	0,14...0,75	0,25...0,34	0,5
AWG	26...16	24...20	24...16	26...20	26...18	24...22	20

Digital Input Module (8-channel, 24 Vdc)

Wiring Diagram



- A Sink wiring (positive logic)
- B Source wiring (negative logic)

The COM terminals are connected together internally.