



### Main

Range of product	Modicon Momentum automation platform
Product or component type	Discrete relay I/O base DC
Group of channels	2 groups of 4 outputs 1 group of 10 inputs
Discrete input number	10 IEC 1131-2 Type 1
Discrete input logic	Positive
Discrete input voltage	20...115 V AC
Discrete output number	8
Discrete output type	Relay normally open
Discrete output voltage	20...115 V DC
Protective treatment	TC

### Complementary

[Us] rated supply voltage	24 V DC
Input voltage limits	- 3...30 V
Network frequency	47...63 Hz
Voltage state 0 guaranteed	-3...5 V
Voltage state1 guaranteed	11...30 V
Current state 0 guaranteed	<= 1.2 mA
Current state 1 guaranteed	>= 2.5 mA
Input resistance	4 kOhm
Discrete output current	<= 0.15 mA 115 V inductive <= 0.5 mA 115 V resistive <= 1 mA 24 V inductive <= 2 mA 24 V resistive >= 0.005 A 24 V
Leakage current	< 1 mA 230 V output circuit
Mechanical durability	<= 30000000 cycles
Electrical durability	<= 100000 cycles inductive

Response time	2.2 ms from state 0 to state 1 on input 3.3 ms from state 1 to state 0 on input 10 ms 60 Hz from state 0 to state 1 on output 10 ms 60 Hz from state 1 to state 0 on output
Isolation between channels and bus	500 V AC
Power dissipation	5.5 W <= 8.5 W
Protection type	Without protection
Associated fuse rating	<= 4 A fast blow input voltage <= 8 A slow-blow output voltage per group 375 mA fast blow operating voltage
Marking	CE
Terminals description PLC n°1	(L+)PW_POS (1L+)PW_POS (3)IN_DIS#3 (8)IN_DIS#8 (10)IN_DIS#10 (9)IN_DIS#9 (5)IN_DIS#5 (4)IN_DIS#4 (1)IN_DIS#1 (6)IN_DIS#6 TB (2)IN_DIS#2 (M-)PW_NEG (7)IN_DIS#7
Terminals description PLC n°2	(3)OUT_DIS#3 (1)OUT_DIS#1 (7)OUT_DIS#7 (4)OUT_DIS#4 (8)OUT_DIS#8 (2)OUT_DIS#2 (6)OUT_DIS#6 (1L+)PW (2L1)PW TB_1 (5)OUT_DIS#5
Current consumption	250 mA 24 V DC
Depth	47.5 mm
Height	141.5 mm
Width	125 mm
Product weight	0.26 kg

## Environment

Product certifications	UL CSA
Resistance to electrostatic discharge	4 kV contact IEC 801-2 8 kV on air IEC 801-2
Resistance to electromagnetic fields	10 V/m 80...1000 MHz IEC 801-3
Ambient air temperature for operation	0...60 °C
Ambient air temperature for storage	-40...85 °C
Relative humidity	95 % without condensation
Operating altitude	<= 5000 m

## Offer Sustainability

Sustainable offer status	Green Premium product
RoHS (date code: YYWW)	Compliant - since 1350 - Schneider Electric declaration of conformity <a href="#">Schneider Electric declaration of conformity</a>
REACH	Reference not containing SVHC above the threshold <a href="#">Reference not containing SVHC above the threshold</a>
Product environmental profile	Available

---

Product end of life instructions	Available
----------------------------------	-----------

---

### Contractual warranty

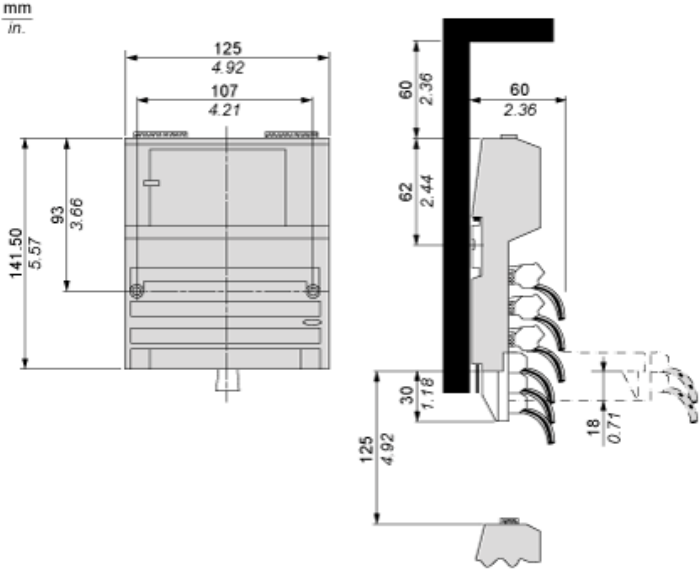
---

Warranty period	18 months
-----------------	-----------

---

Standard Adapter on a Typical Base

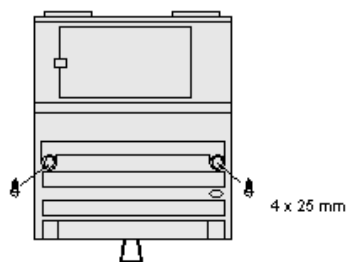
Dimensions



---

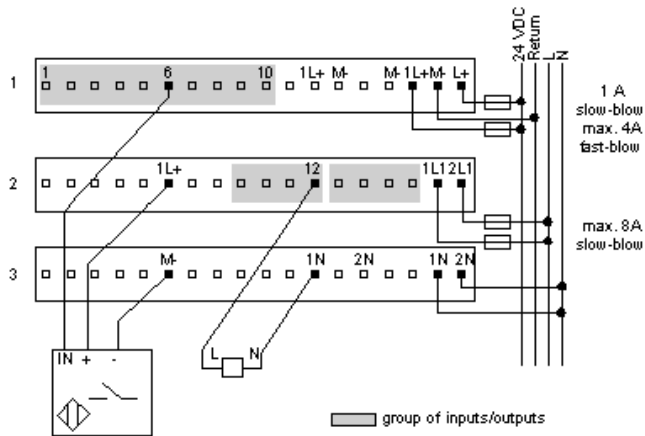
Mounting on a Wall

---

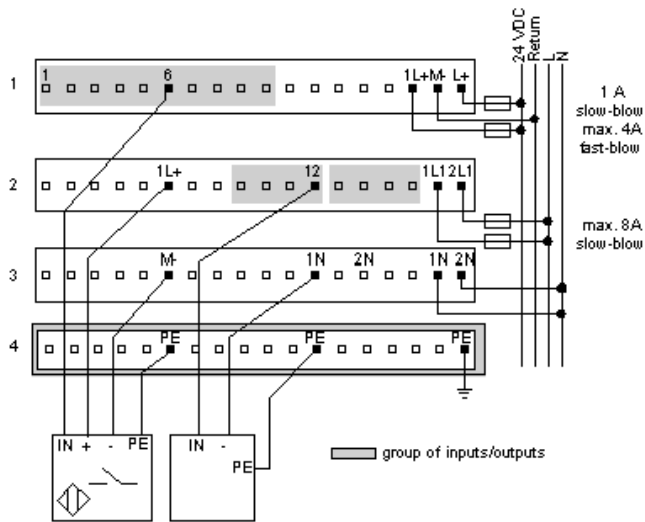


External Wiring Diagrams

3-Wire Sensor with a 2-Wire Actuator



4-Wire Sensor with a 3-Wire Actuator



Internal Pin Connections

Rows 1 through 3 show the internal connections between terminals on the I/O base. Row 4 shows the internal connections on the optional busbar.

