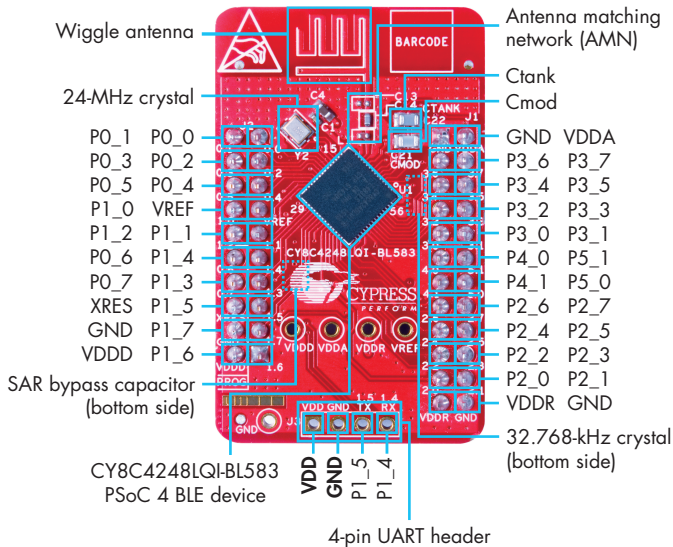


# CY8CKIT-143A PSoc® 4 BLE 256KB MODULE

CY8CKIT-143A PSoc® 4 BLE 256KB Module is an easy-to-use solution for creating a complete BLE system with Bluetooth® 4.2 features. The module features a PSoc 4 BLE device (CY8C4248LQI-BL583), 24-MHz and 32.768-kHz crystals, a PCB antenna, and other passives while providing access to all GPIOs of the device.

For more information on Cypress’s BLE solutions visit [www.cypress.com/BLE](http://www.cypress.com/BLE)

PSoc 4 BLE is a 48-MHz ARM® Cortex®-M0 based single-chip solution that integrates a programmable analog front end, programmable digital peripherals, CapSense® touch-sensing technology, and includes a royalty-free stack and radio compatible with Bluetooth 4.2.



**Fig-1: Pinout Description for CY8CKIT-143A**

Note: To apply power to the module, apply 1.9 V - 5.0 V to any of the VDD pins (VDD, VDDD, VDDA, or VDDR) and 0 V to any GND pin

# CY8CKIT-143A PSoC® 4 BLE 256KB MODULE

## STANDALONE USE WITH PSoC CREATOR™ IDE AND CY8CKIT-002 MINIPROG3

**Step 1:** Select the 5-pin connector setting in PSoC Creator or PSoC Programmer.

**Step 2:** Use 0.1" male headers (not included) or jumper wires to connect the MiniProg3 to the module.



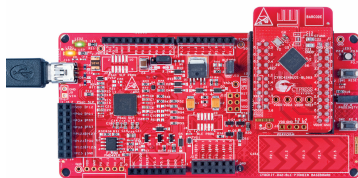
Pin Mapping	
CY8CKIT-002	CY8CKIT-143A
VTARG	VDDD
GND	GND
RES	XRES
SCLK	P0_7
SDAT	P0_6

**Fig-2: Programming and Debugging with CY8CKIT-002 MiniProg3**

## USING THE CY8CKIT-143A MODULE WITH CY8CKIT-042-BLE PIONEER KIT

**Step 1:** Plug the module on the CY8CKIT-042-BLE Pioneer Kit Baseboard.

**Step 2:** Create your design in PSoC Creator IDE and use the BLE Pioneer Kit to program and debug.



**Fig-3: Programming and Debugging with CY8CKIT-042-BLE Pioneer Baseboard**

The CY8CKIT-143A module is intended for development purposes only. Users are advised to test and evaluate this module in an RF development environment.

This module is not a finished product and when assembled may not be resold or otherwise marketed unless all required authorizations are first obtained.

Contact [support@cypress.com](mailto:support@cypress.com) for details.

For more information about this kit, visit [www.cypress.com/CY8CKIT-143A](http://www.cypress.com/CY8CKIT-143A)

