

Data Sheet

RP036xxHBLD

Page 1/5

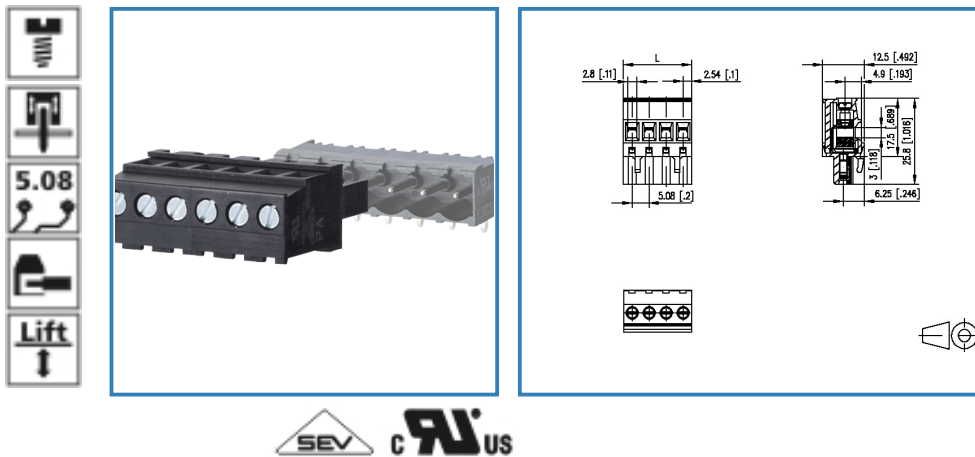
P/N

312141xx

xx=number of poles

2017/01/24

Illustration



see enlarged drawing at the end of the document

Product specification

- screw type terminal block, pluggable
- centerline 5.08 mm, direction of connection 90°
- lift system, fittable without loss of poles
- color black
- wire entry codeable side perpendicular to plug direction



Data Sheet

RP036xxHBLD

Technical Data

General Data

Tightening torque SEV	0.5 Nm		
Tightening torque UL	4.5 lb-in		
min. number of poles	2		
max. number of poles	24		
Insulating material class	CTI 600		
clearance/creepage dist.	3.2 mm		
protection category	IP 20		
Overvoltage category	III	III	II
Pollution degree	3	2	2
Rated voltage	250 V	630 V	630 V
Rated test voltage	4.0 kV	4.0 kV	4 kV


Connection data

Rated wiring solid wire	0.08 - 4 mm ² / AWG 28 - 12		
Rated wiring stranded wire	0.08 - 2.5 mm ² / AWG 28 - 12		

Approvals

extended wiring UL	2 AWG 16-18, or 1 AWG 16 stranded with 1 AWG 18 solid, or 1 AWG 16 stranded with 1 AWG 18 stranded		
--------------------	--	--	--

 V / A / AWG	300 / 12 / 28 - 12		
--	--------------------	--	--

	13.5 A / 320 V / 4 kV / 3 / IEC 61984 / 0.08 - 2.5 mm ²		
--	---	--	--

Material

insulating material	PA66
flammability class	V0
contact material	CuSn
Glow-Wire Flammability GWFI	960
Glow-Wire Flammability GWIT	775
contact surface	Sn
terminal body material	CuZn
terminal body surface	Ni
screw surface	Zn Cr(VI)-frei/free
screw thread	M3

Climatic properties

upper limit temperature	105 °C
lower limit temperature	-40 °C



Data Sheet

RP036xxHBLD

Page 3/5

P/N

312141xx

xx=number of poles

2017/01/24

General

Tolerance	ISO 2768 -mH
-----------	--------------



Data Sheet

RP036xxHBLD

Page 4/5

P/N

312141xx

xx=number of poles

2017/01/24

Matching Part

P/N	Product name
311781	PR066xxHBBN Typ 178
312191	PT116xxVBEC Typ 219
312201	PT116xxVBBN Typ 220
312291	PT116xxHBEC Typ 229
312301	PT116xxHBBN Typ 230
312861	PT166xxVGDN Typ 286
312881	PT166xxHGDN Typ 288
314781	PR066xxHBEC Typ 478
314791	PR066xxVBEC Typ 479

Accessories

P/N	Product name
700025-01-9	700025



Data Sheet

RP036xxHBLD

Page 5/5

P/N

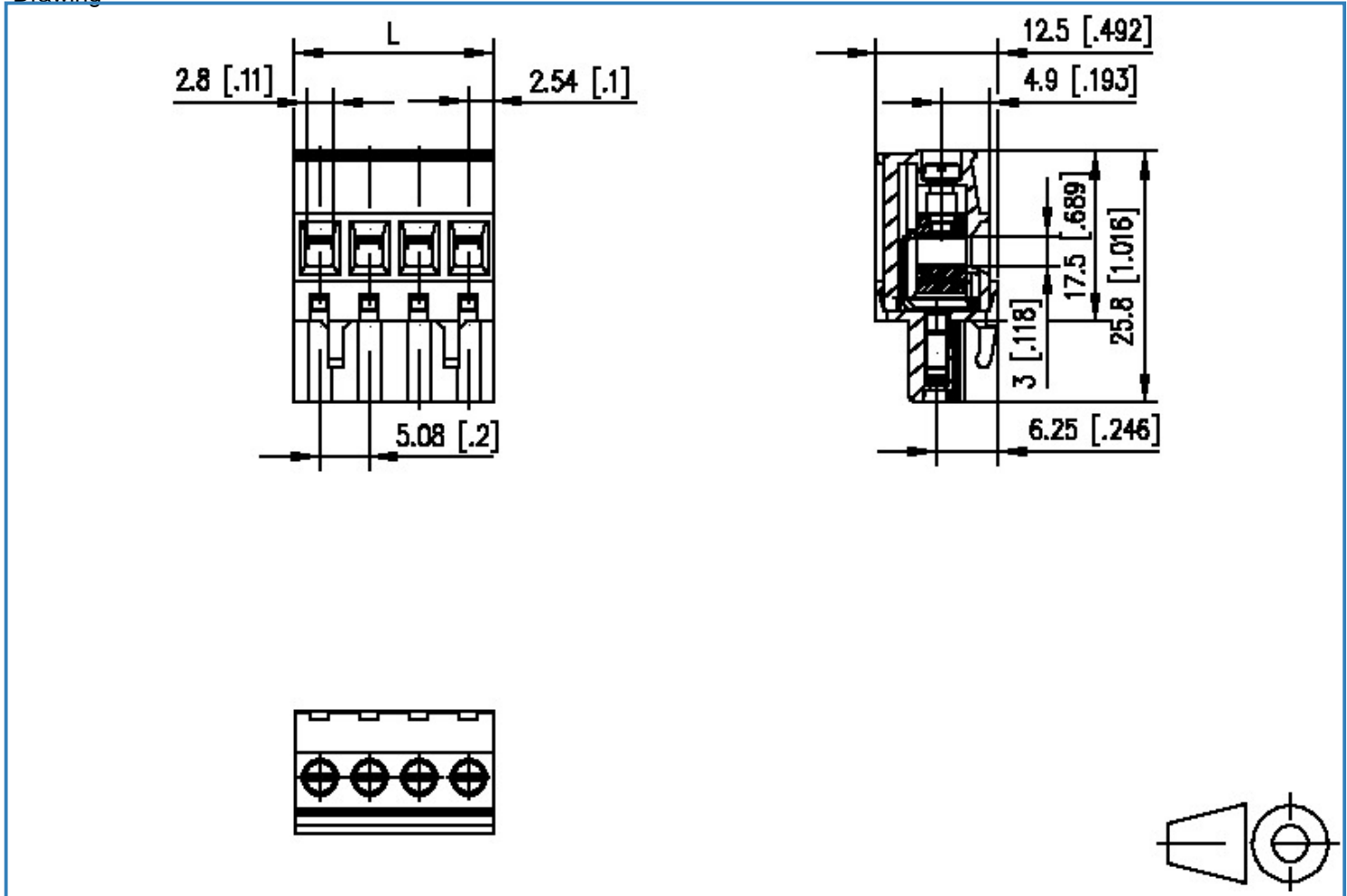
312141xx

xx=number of poles

2017/01/24

Illustration

Drawing



$L = (\text{pole size} - 1) \times \text{centerline} + 5.08 [0.2]$

