

Data Sheet

RP034xxVBLF

Page 1/5

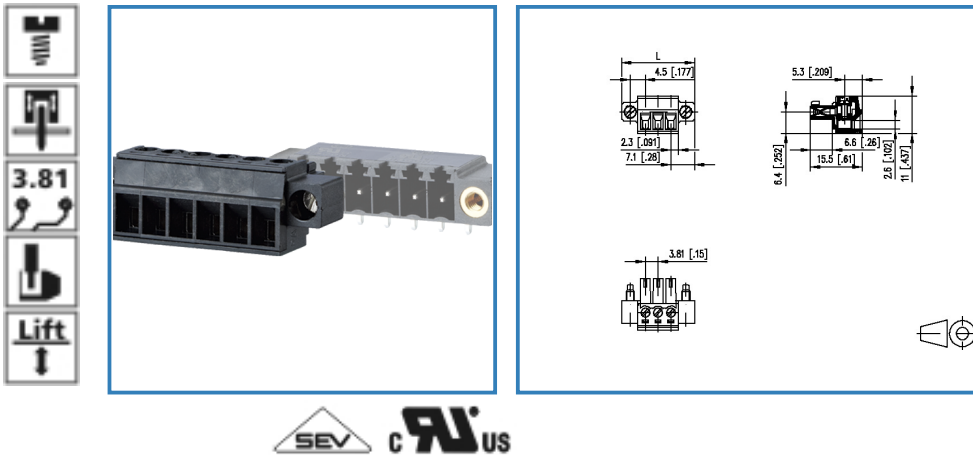
P/N

313791xx

xx=number of poles

2017/05/05

Illustration



see enlarged drawing at the end of the document

Product specification

- screw type terminal block, pluggable
- centerline 3.81 mm, direction of connection vertical 0°
- lift system
- color black, mounting flange
- wire entry codeable side perpendicular to plug direction

Data Sheet

RP034xxVBLF

Technical Data

General Data


Tightening torque SEV	0.25 Nm		
Tightening torque UL	3 lb-in		
min. number of poles	2		
max. number of poles	24		
Insulating material class	CTI 600		
clearance/creepage dist.	3.5 mm		
protection category	IP 20		
Overvoltage category	III	III	II
Pollution degree	3	2	2
Rated voltage	40.0 V	250.0 V	250.0 V
Rated test voltage	1.5 kV	1.5 kV	1.5 kV

Connection data

Rated wiring solid wire	0.08 - 1.5 mm ² / AWG 28 - 16		
Rated wiring stranded wire	0.08 - 1.5 mm ² / AWG 22 - 16		

Approvals

 V / A / AWG	300 / 8 / 28 - 16		
--	-------------------	--	--

	9 A / 160 V / 2.5 kV / 3 / IEC 61984 / 0.08 - 1.5 mm ²		
--	---	--	--

Material

insulating material	PA66		
flammability class	V0		
contact material	CuSn		
Glow-Wire Flammability GWFI	960		
Glow-Wire Flammability GWIT	775		
contact surface	Sn		
terminal body material	CuZn		
terminal body surface	Ni		
screw surface	Zn Cr(VI)-frei/free		
screw thread	M2		



Data Sheet

RP034xxVBLF

Page 3/5

P/N

313791xx

xx=number of poles

2017/05/05

Climatic properties

upper limit temperature	105 °C
-------------------------	--------

lower limit temperature	-40 °C
-------------------------	--------

General

Tolerance	ISO 2768 -mH
-----------	--------------



Data Sheet

RP034xxVBLF

Page 4/5

P/N

313791xx

xx=number of poles

2017/05/05

Matching Part

P/N	Product name
313901	PR044xxHBBF Typ 390
313911	PR044xxVBBF Typ 391
313921	PT094xxHBBF Typ 392
313931	PT094xxVBBF Typ 393

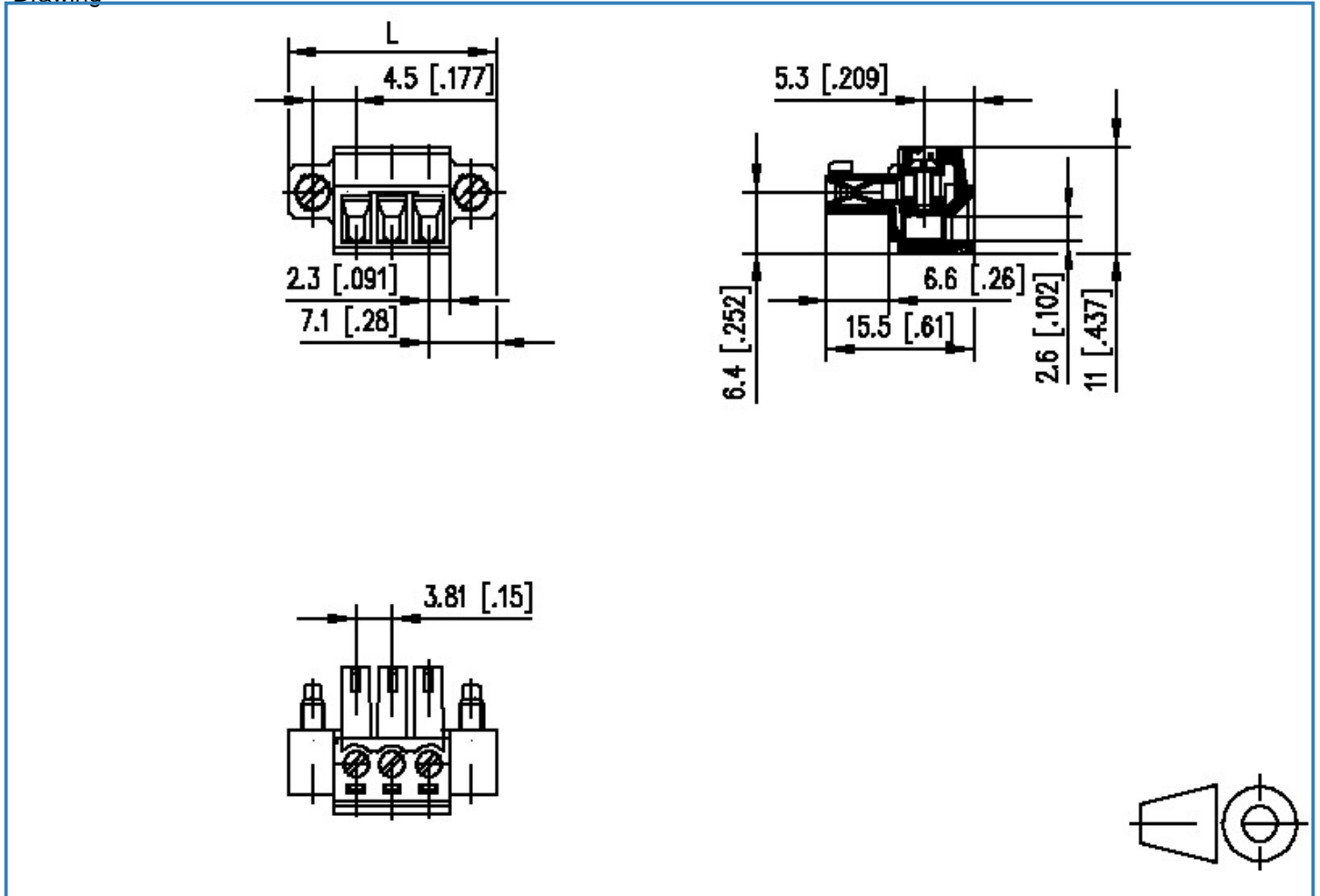


Data Sheet

RP034xxVBLF

Illustration

Drawing



$$L = (\text{pole size} - 1) \times \text{centerline} + 14.2 [0.559]$$

