

Main

Range of product	Zelio Relay
Product or component type	Socket
Device short name	SSLZ
Sale per indivisible quantity	10

Complementary

Contact terminal arrangement	Separate
Product compatibility	Solid state relay SSL with NO contact at 24 V DC Solid state relay SSL with NO contact at 5 V DC
Shape of pin	Flat
[I _{th}] conventional free air thermal current	6 A
[I _{th}] conventional free air thermal current	6 A
[U _e] rated operational voltage	< 250 V DC
Connections - terminals	Screw clamp terminals 1 x 0.2...1 x 2.5 mm ² - AWG 24...AWG 14 , solid cable without cable end Screw clamp terminals 1 x 0.2...1 x 2.5 mm ² - AWG 24...AWG 14 , flexible cable with cable end
Tightening torque	<= 0.5 N.m - screw type M2.5
Fixing mode	By clip-on 35 mm DIN rail
Switching voltage	5 V DC 24 V DC
Local signalling	LED green for input status
Width	6.2 mm
Height	101 mm
Depth	78.6 mm
Product weight	0.0285 kg

Disclaimer: This documentation is not intended as a substitute for and is not to be used for determining suitability or reliability of these products for specific user applications

Environment

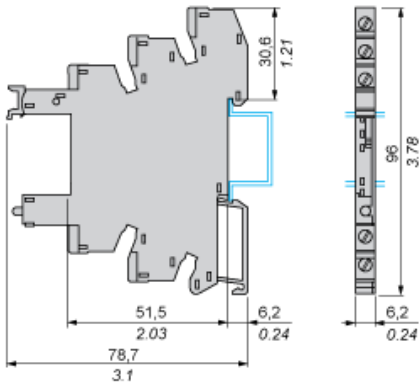
Flame retardance	V0 conforming to UL 94
Standards	IEC 61984
Product certifications	RoHS CSA C22-2 No 14 REACH UL 508
Marking	CE
Ambient air temperature for storage	-40...85 °C
Ambient air temperature for operation	-40...70 °C
IP degree of protection	IP20
Dielectric strength	2500 V

Offer Sustainability

Sustainable offer status	Green Premium product
RoHS (date code: YYWW)	Compliant - since 1320 - Schneider Electric declaration of conformity Schneider Electric declaration of conformity
REACH	Reference not containing SVHC above the threshold Reference not containing SVHC above the threshold
Product environmental profile	Available Product environmental
Product end of life instructions	Available End of life manual

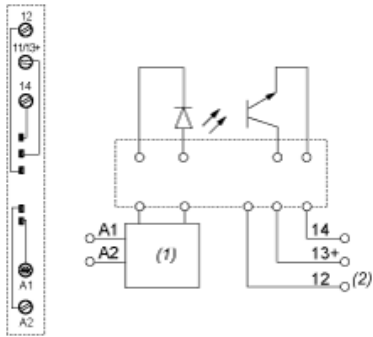
Dimensions

mm
in.



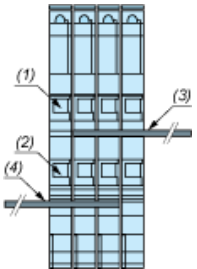
Wiring Diagram

Wiring Diagram for DC Output



- (1) Protection circuit
- (2) Terminal 12 is not in use for SSL Relay

Example of RSLZ2 Bus Jumper Mounting on Sockets



- (1) A1
- (2) A2
- (3) Bus jumper polarity A1
- (4) Bus jumper polarity A2