



Main

| | |
|---------------------------|--------------------------------------|
| Range of product | Harmony XB5 |
| Product or component type | Wireless and batteryless transmitter |
| Device short name | XB5R |
| Bezel material | Plastic |
| Fixing collar material | Plastic |
| Mounting diameter | 22 mm |
| Transmission frequency | 2405 MHz |
| Level or class | 5M00G7W |
| Antenna type | Omnidirectional |

Complementary


| | |
|------------------------------|--|
| Shape of signaling unit head | Round |
| Type of operator | Spring return push-button with transmitter |
| Operator profile | Flush red |
| Rated power in W | ≤ 1 mW |
| Number of channels | 1 |
| Modulation technique | O-QPSK |
| Bandwidth | 5 MHz |
| Antenna gain | 0 dBi |
| Embedding depth | ≤ 42 mm |
| CAD overall height | 41.5 mm |
| CAD overall width | 30 mm |
| CAD overall depth | 43 mm |
| Product weight | 0.045 kg |
| Operating travel | 4.3 mm total travel |
| Operating force | < 25 N C/O changing electrical state |
| Mechanical robustness | Free fall resistance (test level: 1000 mm) conforming to EN/IEC 60068-2-32 |
| Standards | CSA C22.2 No 14 UL 508 |

| | |
|-----------------------------|---|
| Radio agreement | RSS SRRC ICASA ANATEL ARIB T66 FCC |
| Communication port protocol | Zigbee (green power) at 2.4 GHz conforming to IEEE 802.15.4 |
| Maximum sensing distance | 100 m in free field 25 m transmitter in a plastic box type XAL D and receiver in a metal enclosure 300 m transmitter in box type XAL D, receiver in metal enclosure and use relay-antenna |
| Acquisition time | 2 ms |
| Response time | < 2 ms |
| Emission power | 3 mW |
| Fixing mode | Fixing nut beneath head, nominal torque: 2.2 N.m, nominal torque: +/- 0.2 N.m) |
| Station name | XALD 1...5 cut-outs XALK 2...5 cut-outs |
| Electrical composition code | PW1 |

Environment

| | |
|---------------------------------------|---|
| Ambient air temperature for storage | -40...70 °C |
| Ambient air temperature for operation | -25...55 °C |
| Relative humidity | 95 % at 70 °C without condensation |
| IP degree of protection | IP65 on front face conforming to IEC 60529 IP30 on back face conforming to IEC 60529 IP65 on front face conforming to UL Type 12 |
| IK degree of protection | IK03 conforming to IEC 50102 |
| Mechanical durability | 1000000 cycles |
| Shock resistance | 25 gn (duration = 6 ms) for 6000 shocks conforming to IEC 60068-2-27 30 gn (duration = 18 ms) for half sine wave acceleration conforming to IEC 60068-2-27 50 gn (duration = 11 ms) for half sine wave acceleration conforming to IEC 60068-2-27 |
| Vibration resistance | +/- 10 mm (f= 2...11 Hz) conforming to IEC 60068-2-6 5 gn (f= 11...500 Hz) conforming to IEC 60068-2-6 |
| Electromagnetic compatibility | Immunity for industrial environments Radiated emission Electrostatic discharge immunity test (test level:8 kV - in free air (in insulating parts)) Electrostatic discharge immunity test (test level:6 kV - on contact (on metal parts)) Susceptibility to electromagnetic fields (test level:10 V/m - 80...2000 MHz) Susceptibility to electromagnetic fields (test level:3 V/m - 80...2700 MHz, distance = 20 m) |
| Product certifications | UL BT 2006/95/EC CCC CSA GOST C-Tick |
| Directives | 2004/108/EC - electromagnetic compatibility 1999/5/EC - R&TTE directive |

Offer Sustainability

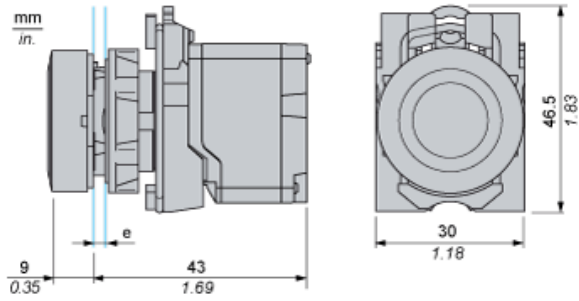
| | |
|--------------------------|---|
| Sustainable offer status | Not Green Premium product |
| RoHS (date code: YYWW) | Compliant - since 1040 - Schneider Electric declaration of conformity  Schneider Electric declaration of conformity |

Contractual warranty

| | |
|-----------------|-----------|
| Warranty period | 18 months |
|-----------------|-----------|

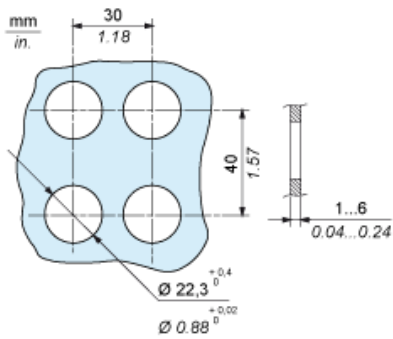
Wireless and Batteryless Pushbutton - Transmitter

With Plastic Pushbutton without Cap

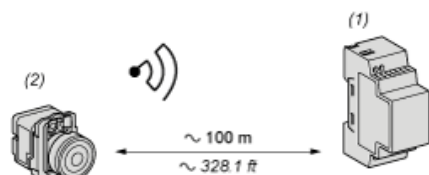


e: panel thickness 1 to 6 mm / 0.039 to 0.24 in.

Transmitter Mounting

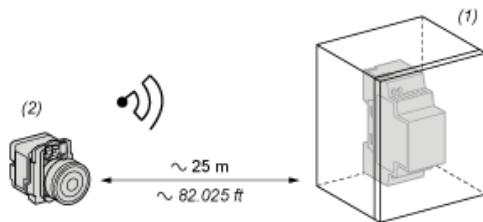


Transmitter Clearance in Free Field Unobstructed



- (1): Receiver
- (2): Transmitter

Transmitter Clearance in a Metal Enclosure



(1): Metal enclosure

(2): Transmitter

The range is reduced if the transmitter is placed in a metal enclosure (reduction factor: approx 10%)

| | |
|-----------------|------------|
| Glass window | 10...20 % |
| Plaster wall | 30...45 % |
| Brick wall | 60 % |
| Concrete wall | 70...80 % |
| Metal structure | 50...100 % |