



### Main

|                            |   |
|----------------------------|---|
| Range of product           | Magelis iDisplay  |
| Product or component type  | Flat screen   |
| Terminal type              | Touchscreen display   |
| Device mounting            | Flush   |
| Integrated connection type | DVI-D video port<br>USB 2.0 type A<br>USB 2.0 type mini B (drivers up to Windows 8.1) |

### Complementary

|                           |   |
|---------------------------|---|
| Provided equipment        | 1 cable DVI-D of 5 m<br>1 cable USB type A of 5 m<br>1 USB cable mini B USB 2.0 |
| Function available        | Brightness sensor   |
| [Us] rated supply voltage | 12...24 V DC power supply   |
| Power consumption in W    | 17 W  |
| Display size              | 12.1 inch   |
| Display type              | Colour TFT LCD  |
| Display resolution        | 1024 x 768 pixels XGA   |
| Display colour            | 16 million colours  |
| Luminance                 | $\geq 100 \text{ cd/m}^2$<br>$\geq 400 \text{ cd/m}^2$                          |
| Backlight lifespan        | 50000 hours   |
| Touch panel               | Multi touch analogue resistive, $\geq 1000000$ cycles                           |
| Type of installation      | Indoor installation   |
| Cut-out dimensions        | 301.5 (+ 1/- 0) x 227.5 (+ 1/- 0) mm  |
| Width                     | 315 mm  |
| Height                    | 241 mm  |
| Depth                     | 67 mm   |
| Product weight            | 3.9 kg  |

## Environment

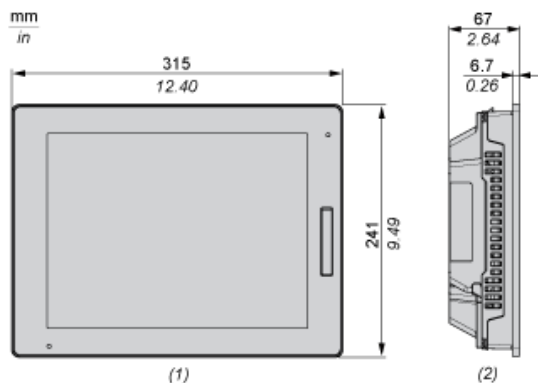
|                                       |   |
|---------------------------------------|---|
| IP degree of protection               | IP67f (front panel)<br>IP66f (front panel) conforming to UL 50E   |
| NEMA degree of protection             | NEMA 4X/13 (front panel)  |
| Standards                             | CSA C22.2 No 142<br>ANSI/ISA 12-12-01<br>CSA C22.2 No 213 : class I division 2<br>UL 508  |
| Product certifications                | CE<br>RCM<br>EAC  |
| Ambient air temperature for operation | 0...60 °C conforming to EN 61131-2, UL  |
| Ambient air temperature for storage   | -20...60 °C   |
| Pollution degree                      | 2   |
| Vibration resistance                  | 3.5 mm constant amplitude (f = 5...9 Hz) conforming to IEC 61131-2<br>9.8 m/s <sup>2</sup> (f = 9...150 Hz) conforming to IEC 61131-2 |
| Shock resistance                      | 147 m/s <sup>2</sup> conforming to EN/IEC 61131-2   |

## Offer Sustainability

|                          |   |
|--------------------------|---|
| Sustainable offer status | Not Green Premium product   |
| RoHS (date code: YYWW)   | Compliant - since 1441 - Schneider Electric declaration of conformity<br><a href="#">Schneider Electric declaration of conformity</a> |
| REACH                    | Reference not containing SVHC above the threshold<br><a href="#">Reference not containing SVHC above the threshold</a>                |

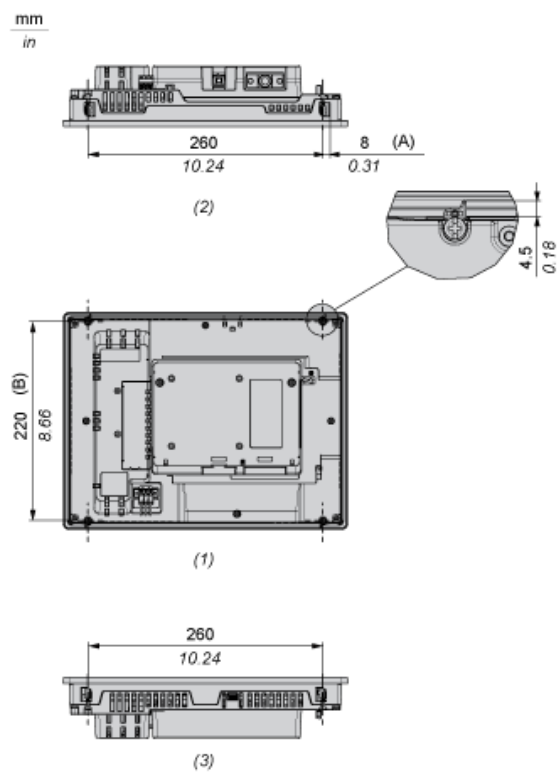
Dimensions

External Dimensions



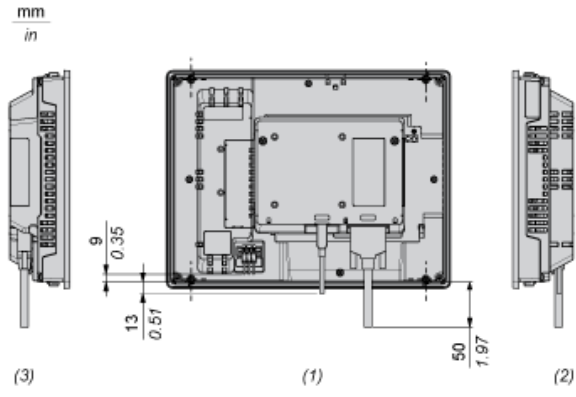
- (1) Front
- (2) Left

Installation with Installation Fasteners



- (A) Rotation area of the fastener
- (B) Pitch of the centre of installation fastener screws
- (1) Rear
- (2) Bottom
- (3) Top

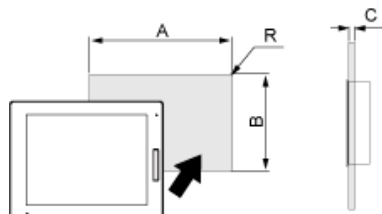
### Dimensions with Cables



- (1) Rear
- (2) Right
- (3) Left

## Mounting

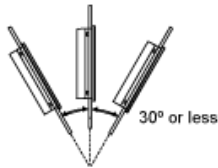
### Panel Cut Dimensions



| A             |                  | B             |                 | C       |            | R      |           |
|---------------|------------------|---------------|-----------------|---------|------------|--------|-----------|
| mm            | in.              | mm            | in.             | mm      | in.        | mm     | in.       |
| 301.5 (+1/-0) | 11.87 (+0.04/-0) | 227.5 (+1/-0) | 8.96 (+0.04/-0) | 1.6...5 | 0.06...0.2 | 3 max. | 0.12 max. |

Installation Requirements

Mounting Angle



When installing this product in a slanted position with an incline more than 30°, the ambient temperature must not exceed 40 °C (104 °F). You may need to use forced air cooling (fan, A/C) to ensure the ambient operating temperature is 40 °C or less (104 °F or less).

Clearance

