



Main

Range of product	Magelis iDisplay
Product or component type	Flat screen
Terminal type	Touchscreen display
Device mounting	Flush
Integrated connection type	DVI-D video port USB 2.0 type A USB 2.0 type mini B (drivers up to Windows 8.1)


Complementary

Provided equipment	1 cable DVI-D of 5 m 1 cable USB type A of 5 m 1 USB cable mini B USB 2.0
Function available	Brightness sensor
[Us] rated supply voltage	12...24 V DC power supply
Power consumption in W	21 W
Display size	15 inch
Display type	Colour TFT LCD
Display resolution	1024 x 768 pixels XGA
Display colour	16 million colours
Luminance	$\geq 400 \text{ cd/m}^2$ $\geq 100 \text{ cd/m}^2$
Backlight lifespan	50000 hours
Touch panel	Multi touch analogue resistive, ≥ 1000000 cycles
Type of installation	Indoor installation
Cut-out dimensions	383.5 (+ 1/- 0) x 282.5 (+ 1/- 0) mm
Width	397 mm
Height	296 mm
Depth	67 mm
Product weight	5.2 kg

Environment

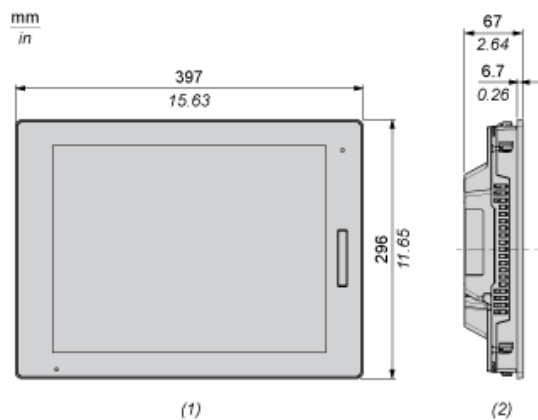
IP degree of protection	IP67f (front panel) IP66f (front panel) conforming to UL 50E
NEMA degree of protection	NEMA 4X/13 (front panel)
Standards	CSA C22.2 No 142 ANSI/ISA 12-12-01 CSA C22.2 No 213 : class I division 2 UL 508
Product certifications	EAC CE Marine GL Bridge RCM ATEX zone 2/22
Ambient air temperature for operation	0...60 °C conforming to EN 61131-2, UL
Ambient air temperature for storage	-20...60 °C
Pollution degree	2
Vibration resistance	3.5 mm constant amplitude (f = 5...9 Hz) conforming to IEC 61131-2 9.8 m/s ² (f = 9...150 Hz) conforming to IEC 61131-2
Shock resistance	147 m/s ² conforming to EN/IEC 61131-2

Offer Sustainability

Sustainable offer status	Not Green Premium product
RoHS (date code: YYWW)	Compliant - since 1441 - Schneider Electric declaration of conformity  Schneider Electric declaration of conformity

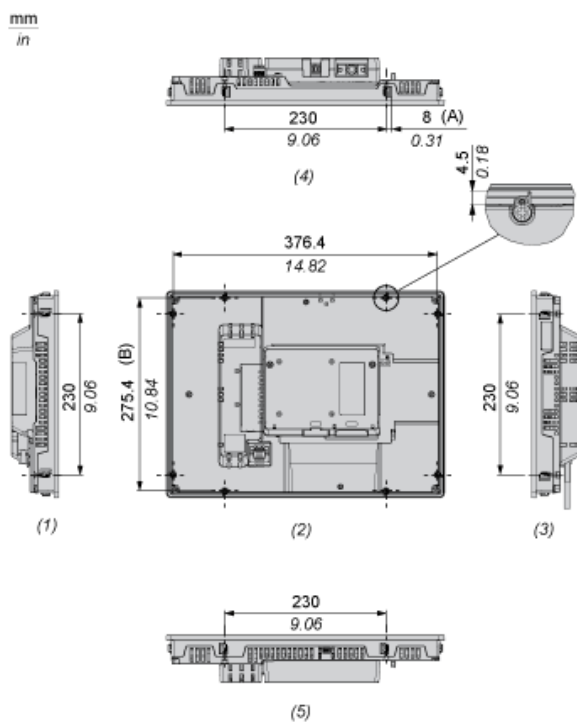
Dimensions

External Dimensions



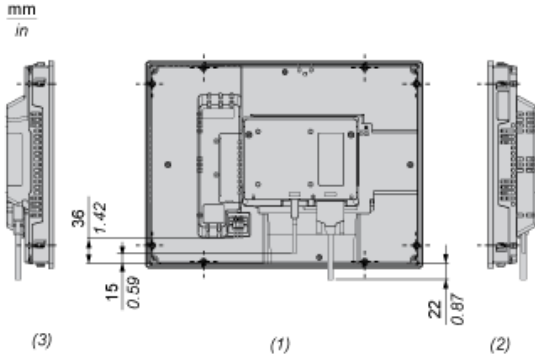
- (1) Front
- (2) Left

Installation with Installation Fasteners



- (A) Rotation area of the fastener
- (B) Pitch of the centre of installation fastener screws
- (1) Left
- (2) Rear
- (3) Right
- (4) Bottom
- (5) Top

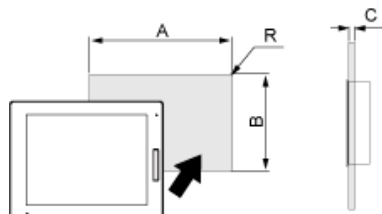
Dimensions with Cables



- (1) Rear
- (2) Right
- (3) Left

Mounting

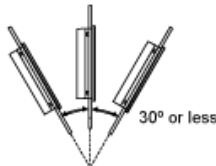
Panel Cut Dimensions



A		B		C		R	
mm	in.	mm	in.	mm	in.	mm	in.
383.5 (+1/-0)	15.1 (+0.04/-0)	282.5 (+1/-0)	11.12 (+0.04/-0)	1.6...5	0.06...0.2	3 max.	0.12 max.

Installation Requirements

Mounting Angle



When installing this product in a slanted position with an incline more than 30°, the ambient temperature must not exceed 40 °C (104 °F). You may need to use forced air cooling (fan, A/C) to ensure the ambient operating temperature is 40 °C or less (104 °F or less).

Clearance

