

ZedBoard™ is a low-cost development board for the Xilinx Zynq®-7000 All Programmable SoC. This board contains everything necessary to create a Linux, Android, Windows® or other OS/RTOS-based design. Additionally, several expansion connectors expose the processing system and programmable logic I/Os for easy user access. Take advantage of the Zynq-7000 AP SoC's tightly coupled ARM® processing system and 7 series programmable logic to create unique and powerful designs with ZedBoard. ZedBoard is supported by the [zedboard.org](http://zedboard.org) community website where users can collaborate with other engineers also working on Zynq designs.

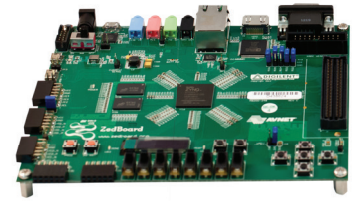
## FEATURES

- Zynq®-7000 All Programmable SoC XC7Z020-CLG484-1
- Memory
  - 512 MB DDR3
  - 256 Mb Quad-SPI Flash
  - 4 GB SD card
- Onboard USB-JTAG Programming
- 10/100/1000 Ethernet
- USB OTG 2.0 and USB-UART
- PS & PL I/O expansion
- (FMC, Pmod™ Compatible, XADC)
- Multiple displays (1080p HDMI, 8-bit VGA, 128 x 32 OLED)
- I2S Audio CODEC

## TARGET APPLICATIONS

- Video processing
- Motor control
- Software acceleration
- Linux/Android/RTOS development
- Embedded ARM® processing
- General Zynq®-7000 All Programmable SoC prototyping

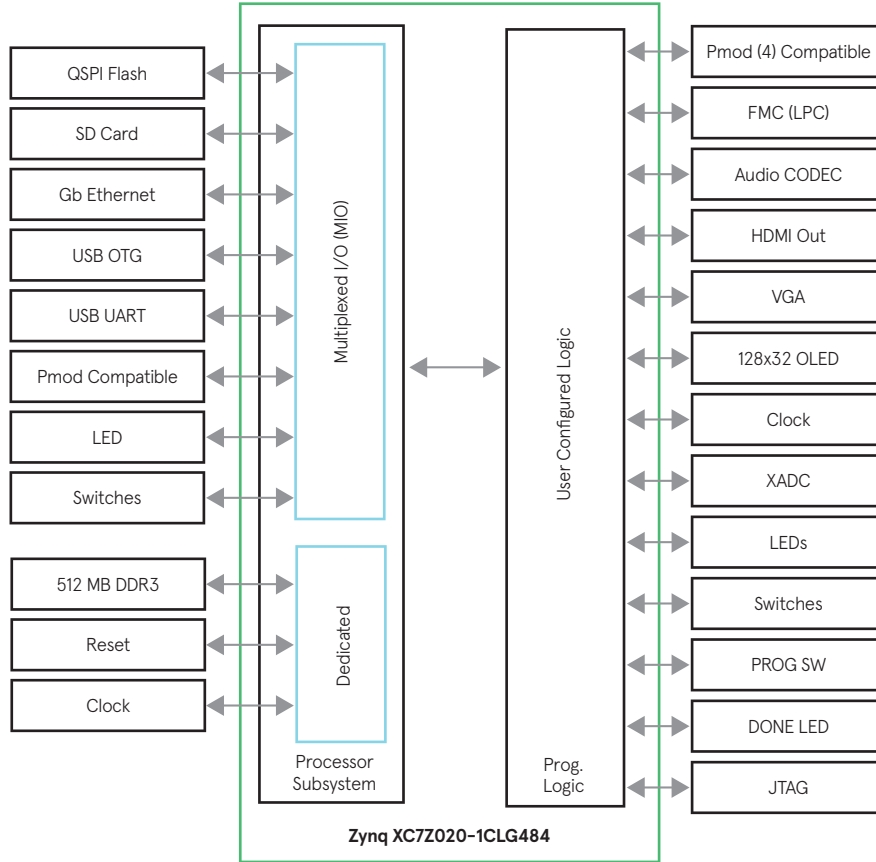
To purchase this kit, visit [www.zedboard.org](http://www.zedboard.org)



## KIT INCLUDES

- Avnet ZedBoard 7020 baseboard
- 12 V power supply
- 4 GB SD Card
- Micro-USB cable
- USB Adapter: Male Micro-B to Female Standard-A
- Getting Started Guide
- Xilinx Vivado® Design Edition license voucher (device locked to 7Z020)

## BLOCK DIAGRAM



## FEATURED MANUFACTURERS



## SPONSORS



## PARTS

Part Number	Description	Resale
AES-Z7EV-7Z020-G	ZedBoard Commercial Edition (Available Exclusively from Avnet)	
ZEDBOARD	ZedBoard Academic Edition (Available Exclusively from Digilent)	

Countries Available for Purchase: Americas, EMEA, Asia, Japan

## CONTACT INFORMATION

**North America**  
 2211 S 47<sup>th</sup> Street  
 Phoenix, Arizona 85034  
 United States of America  
 eval.kits@avnet.com  
 1-800-585-1602

**Europe**  
 Gruber Str. 60c  
 85586 Poing  
 Germany  
 marketing@silica.com  
 +49-8121-77702

**Japan**  
 Yebisu Garden Place Tower, 23F  
 4-20-3 Ebisu, Shibuya-ku  
 Tokyo 150-6023 Japan  
 eval-kits-jp@avnet.com  
 +81-(0)3-5792-8210

**Asia**  
 151 Lorong Chuan  
 #06-03 New Tech Park  
 Singapore 556741  
 XilinxAPAC@avnet.com  
 +65-6580-6000