



### Main

Range of product	Preventa Safety automation
Product or component type	Preventa safety module
Safety module name	XPSAK
Safety module application	For emergency stop, switch, sensing mat/edges or safety light curtain monitoring
Function of module	Monitoring of a movable guard associated with 2 switches and automatic start Emergency stop monitoring 1-channel wiring Monitoring of a movable guard Multiple emergency stop monitoring 2-channel wiring Monitoring of electro-sensitive protection equipment (ESPE) Sensing mat and edges monitoring Proximity sensor monitoring Emergency stop with 2 NC contacts monitoring 2-channel wiring
Safety level	Can reach PL e/category 4 conforming to EN/ISO 13849-1 Can reach SILCL 3 conforming to EN/IEC 62061
Safety reliability data	DC > 99 % conforming to EN/ISO 13849-1 MTTFd = 154.5 years conforming to EN/ISO 13849-1 PFHd = 7.39E-9 1/h conforming to EN/IEC 62061
Type of start	Configurable
Connections - terminals	Captive screw clamp terminals, removable terminal block, clamping capacity: 2 x 0.5...2 x 1.5 mm <sup>2</sup> flexible cable with cable end, with double bezel Captive screw clamp terminals, removable terminal block, clamping capacity: 1 x 0.2...1 x 2.5 mm <sup>2</sup> flexible cable with cable end, with double bezel Captive screw clamp terminals, removable terminal block, clamping capacity: 1 x 0.2...1 x 2.5 mm <sup>2</sup> solid cable with cable end, with double bezel Captive screw clamp terminals, removable terminal block, clamping capacity: 1 x 0.25...1 x 2.5 mm <sup>2</sup> flexible cable with cable end, with double bezel Captive screw clamp terminals, removable terminal block, clamping capacity: 2 x 0.2...2 x 1 mm <sup>2</sup> solid cable with cable end, with double bezel Captive screw clamp terminals, removable terminal block, clamping capacity: 2 x 0.2...2 x 1.5 mm <sup>2</sup> flexible cable with cable end, with double bezel Captive screw clamp terminals, removable terminal block, clamping capacity: 2 x 0.25...2 x 1 mm <sup>2</sup> flexible cable with cable end, with double bezel
Output type	Relay instantaneous opening 3 NO, volt-free
Number of additional circuits	1 NC + 4 solid state outputs
[Us] rated supply voltage	24 V AC (- 15...10 %) 24 V DC (- 15...10 %)

Disclaimer: This documentation is not intended as a substitute for and is not to be used for determining suitability or reliability of these products for specific user applications

## Complementary

Synchronisation time between inputs	2 or 4 s depending of wiring (automatic start) Unlimited (manual start)
Supply frequency	50/60 Hz
Power consumption in VA	<= 5 VA AC
Input protection type	Internal, electronic
Control circuit voltage	24 V DC
Line resistance	28 Ohm
Breaking capacity	C300 : 180 VA, AC-15 (holding) for relay output C300 : 1800 VA, AC-15 (inrush) for relay output
Breaking capacity	1.5 A at 24 V (DC-13) time constant: 50 ms for relay output
Output thermal current	6 A per relay for relay output
[I <sub>th</sub> ] conventional free air thermal current	18 A
Associated fuse rating	4 A fuse type gG or gL for relay output conforming to EN/IEC 60947-5-1, DIN VDE 0660 part 200 6 A fuse type fast blow for relay output conforming to EN/IEC 60947-5-1, DIN VDE 0660 part 200
Minimum output current	10 mA for relay output
Minimum output voltage	17 V for relay output
Response time on input open	<= 40 ms
[U <sub>i</sub> ] rated insulation voltage	300 V (degree of pollution: 2) conforming to DIN VDE 0110 part 1 300 V (degree of pollution: 2) conforming to IEC 60947-5-1
[U <sub>imp</sub> ] rated impulse withstand voltage	4 kV overvoltage category III conforming to IEC 60947-5-1 4 kV overvoltage category III conforming to DIN VDE 0110 part 1
Local signalling	4 LEDs
Current consumption	30 mA at 24 V AC (on power supply)
Mounting support	35 mm symmetrical DIN rail
Product weight	0.3 kg

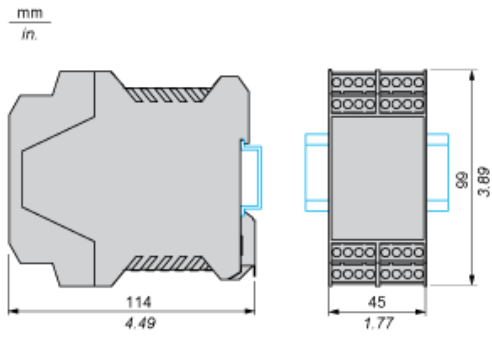
## Environment

Standards	EN/ISO 13850 EN 1088/ISO 14119 EN/IEC 60204-1 EN/IEC 60947-5-1
Product certifications	TÜV UL CSA
IP degree of protection	IP20 (terminals) conforming to EN/IEC 60529 IP40 (enclosure) conforming to EN/IEC 60529
Ambient air temperature for operation	-10...55 °C
Ambient air temperature for storage	-25...85 °C

## Contractual warranty

Warranty period	18 months
-----------------	-----------

Dimensions



## Wiring Diagrams

### Refer to the Instruction Sheet

To download the instruction sheet, follow below procedure:

**XPSAC5121**  
module XPSAC - Emergency stop - 24 V AC DC  
[Download XPSAC5121 product datasheet](#)

Download & Documents 1 to 3 of 3 (Total: -1)

**Instruction sheet**

XPSAC... Safety module for emergency stop and switch monitoring	English 2012-07-04	pdf (29)
-----------------------------------------------------------------	--------------------	----------

**Image of product**

Emergency stop and switch monitoring	2010-11-10	(Select :)
--------------------------------------	------------	------------

**Certificate**

Russian certificate	English 2010-07-07	pdf (60)
---------------------	--------------------	----------

1

2

- 1 Click on Download & Documents.
- 2 Click on Instruction sheet.