



DOL-1204-G02M

Plug connectors and cables

ACCESSORIES

SICK
Sensor Intelligence.



Illustration may differ

Ordering information

Type	Part no.
DOL-1204-G02M	6009382

Other models and accessories → www.sick.com/Plug_connectors_and_cables

Detailed technical data

Technical specifications

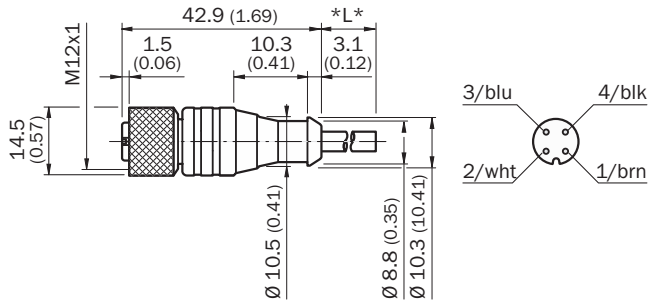
Accessory group	Plug connectors and cables
Accessory family	Connecting cables with female connector
Connection type head A	Female connector, M12, 4-pin, straight
Connection type head B	Cable
Connection type	Flying leads
Connector material	TPU
Connector color	Orange
Locking nut material	CuZn, nickel-plated brass
Cable	2 m, 4-wire, unshielded, PVC
Jacket material	PVC
Jacket color	Orange
Cable diameter	Ø 5 mm
Conductor cross-section	0.25 mm ²
Shielding	Unshielded
Bending radius	> 10 x cable diameter flexible use, > 5 x cable diameter (stationary position)
Bending cycles	≥ 1,000,000
Tightening torque	0.5 Nm
Reference voltage	≤ 250 V
Current loading	4 A
Application	Chemical resistant
Ambient operating temperature	-25 °C ... +80 °C, female connector -40 °C ... +80 °C, stationary position +5 °C ... +80 °C, flexible use
Enclosure rating	IP67

Classifications

ECl@ss 5.0	19030312
ECl@ss 5.1.4	19030312
ECl@ss 6.0	27060304
ECl@ss 6.2	27060304
ECl@ss 7.0	27060304
ECl@ss 8.0	27060304

ECI@ss 8.1	27060304
ECI@ss 9.0	27060304
ETIM 5.0	EC000830
ETIM 6.0	EC000830
UNSPSC 16.0901	26121604

Dimensional drawing (Dimensions in mm (inch))



SICK AT A GLANCE

SICK is one of the leading manufacturers of intelligent sensors and sensor solutions for industrial applications. A unique range of products and services creates the perfect basis for controlling processes securely and efficiently, protecting individuals from accidents and preventing damage to the environment.

We have extensive experience in a wide range of industries and understand their processes and requirements. With intelligent sensors, we can deliver exactly what our customers need. In application centers in Europe, Asia and North America, system solutions are tested and optimized in accordance with customer specifications. All this makes us a reliable supplier and development partner.

Comprehensive services complete our offering: SICK LifeTime Services provide support throughout the machine life cycle and ensure safety and productivity.

For us, that is “Sensor Intelligence.”

WORLDWIDE PRESENCE:

Contacts and other locations –www.sick.com