



## DOL-1204-G05M

Plug connectors and cables

**ACCESSORIES**

**SICK**  
Sensor Intelligence.



Illustration may differ

### Ordering information

Type	Part no.
DOL-1204-G05M	6009866

Other models and accessories → [www.sick.com/Plug\\_connectors\\_and\\_cables](http://www.sick.com/Plug_connectors_and_cables)

### Detailed technical data

#### Technical specifications

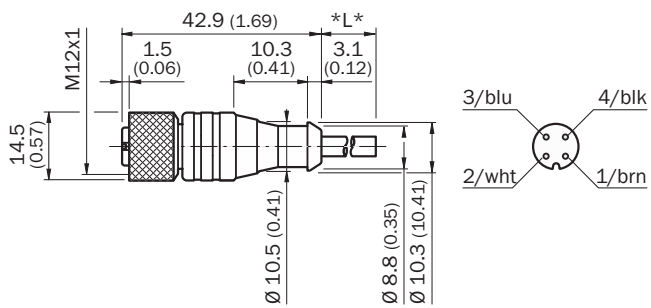
<b>Accessory group</b>	Plug connectors and cables
<b>Accessory family</b>	Connecting cables with female connector
<b>Connection type head A</b>	Female connector, M12, 4-pin, straight
<b>Connection type head B</b>	Cable
<b>Connection type</b>	Flying leads
<b>Connector material</b>	TPU
<b>Connector color</b>	Orange
<b>Locking nut material</b>	CuZn, nickel-plated brass
<b>Cable</b>	5 m, 4-wire, unshielded, PVC
<b>Jacket material</b>	PVC
<b>Jacket color</b>	Orange
<b>Cable diameter</b>	Ø 5 mm
<b>Conductor cross-section</b>	0.25 mm <sup>2</sup>
<b>Shielding</b>	Unshielded
<b>Bending radius</b>	> 10 x cable diameter flexible use, > 5 x cable diameter (stationary position)
<b>Bending cycles</b>	≥ 1,000,000
<b>Tightening torque</b>	0.5 Nm
<b>Reference voltage</b>	≤ 250 V
<b>Current loading</b>	4 A
<b>Application</b>	Chemical resistant
<b>Ambient operating temperature</b>	-25 °C ... +80 °C, female connector -40 °C ... +80 °C, stationary position +5 °C ... +80 °C, flexible use
<b>Enclosure rating</b>	IP67
<b>Description</b>	Head A: M12 female connector, 4-pin, straight Head B: cable Cable: for power supply, suitable for drag chain, PVC, unshielded, 4 x 0.25 mm <sup>2</sup> , Ø 5.0 mm

#### Classifications

<b>ECl@ss 5.0</b>	19030312
<b>ECl@ss 5.1.4</b>	19030312
<b>ECl@ss 6.0</b>	27060304
<b>ECl@ss 6.2</b>	27060304

<b>ECI@ss 7.0</b>	27060304
<b>ECI@ss 8.0</b>	27060304
<b>ECI@ss 8.1</b>	27060304
<b>ECI@ss 9.0</b>	27060304
<b>ETIM 5.0</b>	EC000830
<b>ETIM 6.0</b>	EC000830
<b>UNSPSC 16.0901</b>	26121604

Dimensional drawing (Dimensions in mm (inch))



## SICK AT A GLANCE

SICK is one of the leading manufacturers of intelligent sensors and sensor solutions for industrial applications. A unique range of products and services creates the perfect basis for controlling processes securely and efficiently, protecting individuals from accidents and preventing damage to the environment.

We have extensive experience in a wide range of industries and understand their processes and requirements. With intelligent sensors, we can deliver exactly what our customers need. In application centers in Europe, Asia and North America, system solutions are tested and optimized in accordance with customer specifications. All this makes us a reliable supplier and development partner.

Comprehensive services complete our offering: SICK LifeTime Services provide support throughout the machine life cycle and ensure safety and productivity.

For us, that is “Sensor Intelligence.”

## WORLDWIDE PRESENCE:

Contacts and other locations –[www.sick.com](http://www.sick.com)