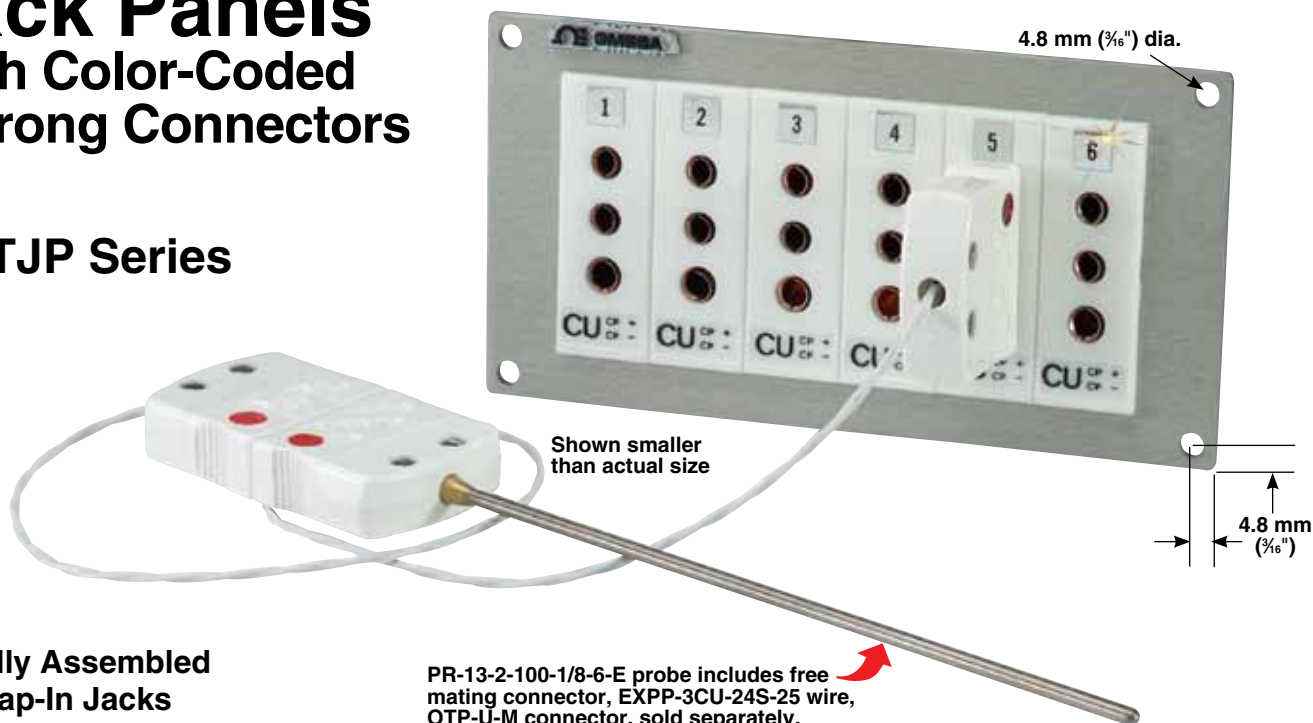


# Jack Panels With Color-Coded 3 Prong Connectors

## TJP Series



- ✓ Fully Assembled
- ✓ Snap-In Jacks
- ✓ Numbered Circuits
- ✓ Easy Installation
- ✓ Convenient
- ✓ Rugged 2.4 mm ( $\frac{3}{32}$ " ) Anodized Panels

PR-13-2-100-1/8-6-E probe includes free mating connector, EXPP-3CU-24S-25 wire, OTP-U-M connector, sold separately.

OMEGA® jack panels are for use with RTD's, thermistors and shielded thermocouples. Using the TJP snap-in panel jacks, the same versatility given to thermocouples is now possible for sensors requiring 3 lead wires.

The snap-in jacks have 3 female terminals that will accept any 3 prong OTP male connector. They can accommodate wires up to 14 AWG and are made from alloys to match ANSI thermocouple grade calibrations.

The TJP panel jacks are made of rugged, high impact plastic, and have a maximum service temperature of 205°C (400°F). They are mounted in 2.4 mm ( $\frac{3}{32}$ " ) panels of anodized aluminum.

Consult Sales Department for information on custom, color-coded anodized panels.

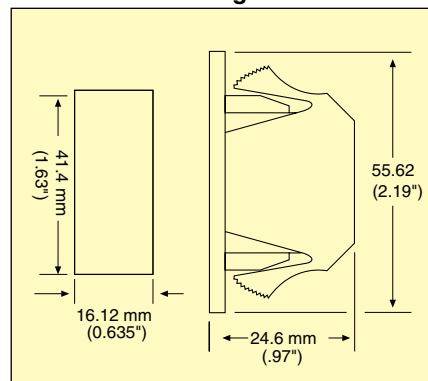
*Note: Male plugs can be supplied in place of the female jacks on all OMEGA panels, if desired.*

*Note: All OMEGA TJP jack panels are assembled at no extra cost!*

### Hole Spacing:

$\frac{3}{16}$ " on both sides,  
 $\frac{3}{16}$ " diameter hole for #8 screw

### Mounts in a Rectangular Cutout



### Discount Schedule

1-10.....	Net
11-24.....	10%
25-99.....	20%
100 and up.....	Consult Sales

### To Order

Circuits Per Row	Dimensions in mm (inch)	1 Row 76 H (3")	2 Rows 133 H (5 1/4")	3 Rows 203 H (8")	4 Rows 254 H (10")
6 146 mm L (5 3/4")	Model No.	TJP1-06-[*]	TJP2-12-[*]	TJP3-18-[*]	TJP4-24-[*]
12 260 mm L (10 1/4")	Model No.	TJP1-12-[*]	TJP2-24-[*]	TJP3-36-[*]	TJP4-48-[*]
18 375 mm L (14 3/4")	Model No.	TJP1-18-[*]	TJP2-36-[*]	TJP3-54-[*]	TJP4-72-[*]

\* Insert J, K, T, E, N, or U thermocouple calibration.

Minimum order required for non-standard.

Ordering Example: TJP2-36-K, Double row color-coded jack panel with Type K connector.