

MINIATURE SWITCHES

6x6mm Tact Switches

- Advanced switch technology
- Positive tactile action
- Tamper proof application
- Flow solder wash-away cleaning
- Through-hole PCB, surface mount & horizontal terminals
- Square & round button styles
- Other button heights available
- Can be supplied taped for auto-insertion, add suffix /T

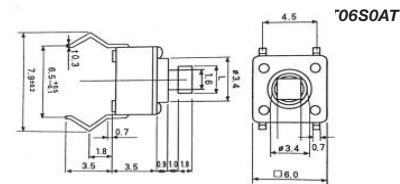
SPECIFICATION

Rating	50mA/12VDC	
Contact resistance	100mΩ max	
Insulation strength	100MΩ min/500VDC	
Electrical life	CST06S00T	30,000 operations min
	CST06S00S	30,000 operations min
	CST06S00H	100,000 operations min
Temperature range	-10°C to +60°C	
Operating force	160 ± 70g	
Material	Case	Nylon
	Button	Nylon
	Contacts	Phosphor Bronze Silver Plated
Terminals	Brass Silver Plated	

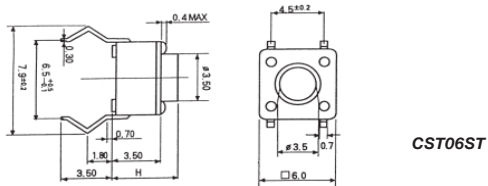
Through-hole PCB Terminals

TYPE NO.	BUTTON HEIGHT	BUTTON SIZE
CST06S0AT	7.4mm	2.4 x 2.4mm
CST06S43T	4.3mm	ø3.4mm
CST06S05T	5mm	ø3.4mm
CST06S73T	7.3mm	ø3.4mm
CST06S08T	8mm	ø3.4mm
CST06S95T	9.5mm	ø3.4mm
CST06S13T	13mm	ø3.4mm

CST06S0AT



CST06ST

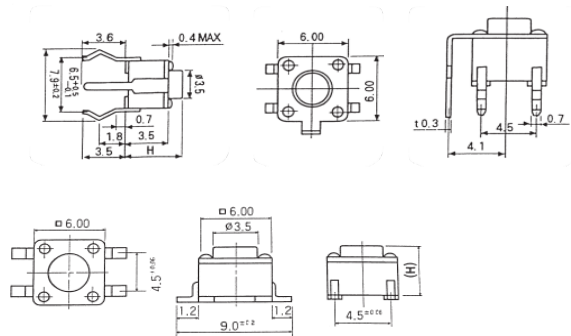


Surface Mount Terminals

TYPE NO.	BUTTON HEIGHT
CST06S43S	4.3mm
CST06S05S	5mm
CST06S08S	8mm

Suffix /T = Tape & Reel

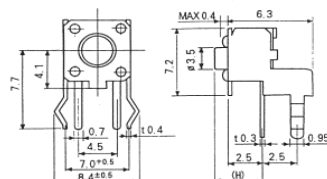
CST06SS



Horizontal PCB Terminals

TYPE NO.	BUTTON HEIGHT
CST06S43H	4.3mm
CST06S05H	5mm
CST06S08H	8mm

CST06SH



CST06S Series Replaces CB001 Series
 Example CST06S0AT replaces CB001A
 Example CST06S43S replaces CB001-IFS
 Example CST35643T replaces CB004FS



+44 (0)1638 716101
 info@camdenboss.com
 www.camdenboss.com

We operate a constant improvement policy,
 our products are subject to change without notice.

Ver 1.0

CAMDENBOSS
 ELECTRONICS & ENCLOSURES