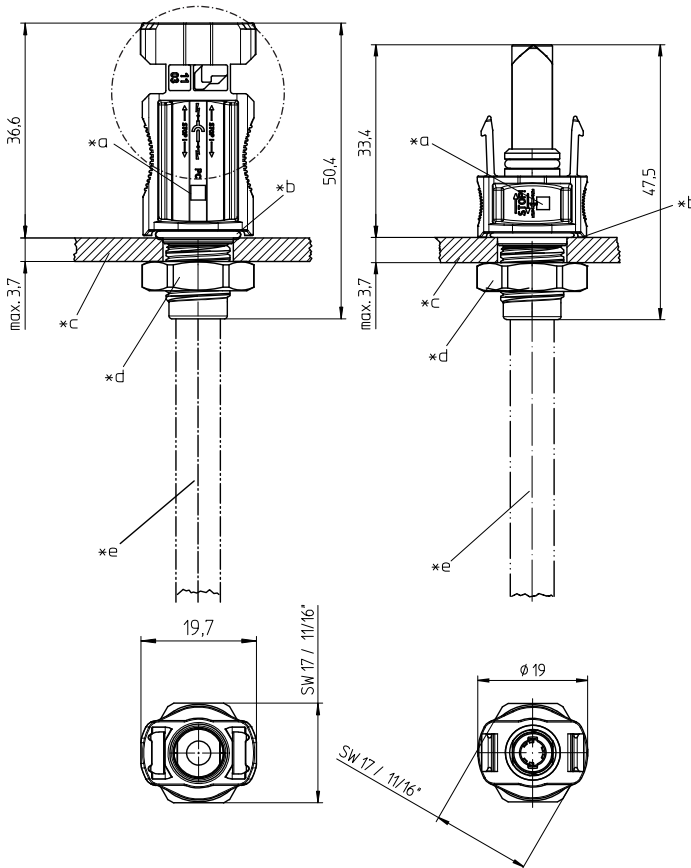




LC4-CP 10

LC4-CP 11



- \*a marking + on LC4-CP 1...-1, - on LC4-CP 1...-2
- \*b sealing
- \*c chassis panel
- \*d nut enclosed separately
- \*e cable with mounted contact to be inserted into the housing after crimping process\*
- \*f port

**Standard packaging: individual parts in bulk, sorted in plastic bags of 100 pieces, in a cardboard box**

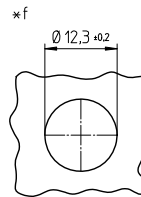
**LC4-CP 10  
LC4-CP 11**

LC4® photovoltaic chassis receptacle, with integrated locking and crimp contact, for front mounting

LC4-CP 10: plug

LC4-CP 11: socket

- 1. Temperature range**
  - 40 °C/+85 °C (IEC)
  - 40 °C/+90 °C (UL)
  - (+125 °C upper limit temperature)
- 2. Materials**
  - Insulating body
  - Contact pin/bush
  - Sealing (sockets only)
  - Hexagonal nut
- 3. Mechanical data**
  - Insertion force<sup>1</sup> ≤ 20 N
  - Withdrawal force<sup>1</sup> ≥ 10 N
  - Retaining force of locking latches<sup>2</sup> ≥ 90 N
  - Mating cycles<sup>2</sup> 50
  - Tightening torque nut 0.8–1.1 Nm
  - Mating with photovoltaic connectors LC4 IP 68
  - Protection degree<sup>3</sup> IP 68
  - Connectable conductors crimp terminal** stranded wire, insulated<sup>4</sup>
    - Section LC4-CP 1... 2.5 2.5 mm<sup>2</sup> (AWG 14)
    - Section LC4-CP 1... 4.0 4.0 mm<sup>2</sup> (AWG 12)
    - Section LC4-CP 1... 6.0 6.0 mm<sup>2</sup> (AWG 10)
- 4. Electrical data (at T<sub>amb</sub> 20 °C)**
  - Contact resistance<sup>2</sup> ≤ 1 mΩ
  - Rated current (IEC)<sup>2</sup>
    - LC4-CP 1... 2.5 22 A at T<sub>amb</sub> 85 °C
    - LC4-CP 1... 4.0 and 6.0 30 A at T<sub>amb</sub> 85 °C
  - Rated current (UL)<sup>2</sup> 35 A at T<sub>amb</sub> 20 °C, all sections
  - Rated voltage<sup>5</sup> 1000 V DC (IEC)/600 V DC (UL)
  - Overvoltage category<sup>5</sup> III (8 kV)
  - Material group<sup>5</sup> IIIa (IEC)/3 (UL) (CTI ≥ 225)
  - Creepage distance/clearance between contact and touchable surface 28.3 mm
  - Insulation resistance > 10 GΩ



**Composition of type designation**

