

Fuse Inserter/Extractor with Cover Function for 10.3x38 mm Fuses in Clips, Patent Pending



ESO Fuse Inserter/Extractor (part of the delivery)

Order required accessories separately



Description

- Fuse inserter, extractor and cover in one component
- Patented, compact and cost-effective design
- Terminal marking optional possible
- Touch-safe according to IP20
- Captive fuse
- Designed for use with CSO clips only

Standards

- UL 4248-1
- CSA C22.2 no. 39

Approvals

- Approval Reference Type: ESO
- UL File Number: E39328

Applications

- All photovoltaic applications
- Inverters
- Battery charge controllers
- String fuses
- DC applications


References

Mating cover to [ASO 10.3x38](#); [CSO](#)

Weblinks

[pdf datasheet](#), [html-datasheet](#), [General Product Information](#), [Packaging details](#), [Approvals](#), [CE declaration of conformity](#), [RoHS](#), [CHINA-RoHS](#), [REACH](#), [Distributor-Stock-Check](#), [Accessories](#), [Detailed request for product](#), [Video](#)

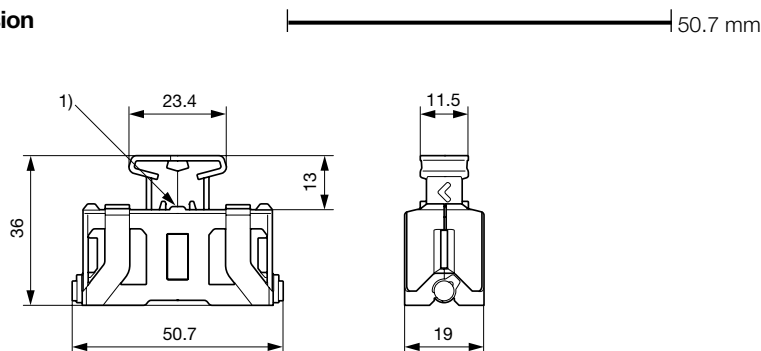
Technical Data

| | |
|------------------------------|---|
| Fuse-Link | 10.3 x 38 mm |
| Mounting | Plug-in assembly |
| Degree of Protection | IP 20 |
| Admissible Ambient Air Temp. | -40 °C to 85 °C |
| Climatic Category | 40/085/21 acc. to IEC 60068-1 |
| Material | Thermoplastic black UL 94V-0 |
| Unit Weight | 9.2 g |
| Storage Conditions | 0 °C to 60 °C, max. 70% r.h. |
| Product Marking |  Type, Safety Note |

| | |
|--------------------|-----------------|
| Contact Resistance | < 5 mΩ at 20 mV |
|--------------------|-----------------|

Detailed information on product approvals, code requirements, usage instructions and detailed test conditions can be looked up in [General Product Information](#)

Dimension



¹⁾ Position for optional terminal marking
(terminal block width: 5.2 mm, lettering field: 4.6x5.1 mm,
e.g. item 0818153 from Phoenix Contact)

All Variants

| Type | Packaging | Order Number |
|-------------|-----------------|--------------|
| ESO 10.3x38 | Bulk (50 pcs.) | 0853.1250 |
| ESO 10.3x38 | Bulk (500 pcs.) | 0853.1251 |

Availability for all products can be searched real-time:<http://www.schurter.com/en/Stock-Check/Stock-Check-SCHURTER>

Required Accessory

Description



CSO
Heavy Duty Fuse Clip, 10.3 x 38 /10.3 x 85 mm, 1500 VAC/VDC, 32 A