

**Agilent N2916B
6000 and 5000 Series
Oscilloscope Rack
Mount Kit**

Installation Guide



Agilent Technologies

Notices

© Agilent Technologies, Inc. 2005, 2007

No part of this manual may be reproduced in any form or by any means (including electronic storage and retrieval or translation into a foreign language) without prior agreement and written consent from Agilent Technologies, Inc. as governed by United States and international copyright laws.

Manual Part Number

N2916-92002, April 2007

Edition

N2916-92002, April 2007
N2916-92001, June 2005
N2916-92000, April 2005

Printed in Malaysia

Agilent Technologies, Inc.
395 Page Mill Road
Palo Alto, CA 94303 USA

Warranty

The material contained in this document is provided “as is,” and is subject to being changed, without notice, in future editions. Further, to the maximum extent permitted by applicable law, Agilent disclaims all warranties, either express or implied, with regard to this manual and any information contained herein, including but not limited to the implied warranties of merchantability and fitness for a particular purpose. Agilent shall not be liable for errors or for incidental or consequential damages in connection with the furnishing, use, or performance of this document or of any information contained herein. Should Agilent and the user have a separate written agreement with warranty terms covering the material in this document that conflict with these terms, the warranty terms in the separate agreement shall control.

Technology Licenses

The hardware and/or software described in this document are furnished under a license and may be used or copied only in accordance with the terms of such license.

Restricted Rights Legend

If software is for use in the performance of a U.S. Government prime contract or subcontract, Software is delivered and licensed as “Commercial computer software” as defined in DFAR 252.227-7014 (June 1995), or as a “commercial item” as defined in FAR 2.101(a) or as “Restricted computer software” as defined in FAR 52.227-19 (June 1987) or any equivalent agency regulation or contract clause. Use, duplication or disclosure of Software is subject to Agilent Technologies’ standard commercial license terms, and non-DOD Departments and Agencies of the U.S. Government will receive no greater than Restricted Rights as

defined in FAR 52.227-19(c)(1-2) (June 1987). U.S. Government users will receive no greater than Limited Rights as defined in FAR 52.227-14 (June 1987) or DFAR 252.227-7015 (b)(2) (November 1995), as applicable in any technical data.

Safety Notices

CAUTION

A **CAUTION** notice denotes a hazard. It calls attention to an operating procedure, practice, or the like that, if not correctly performed or adhered to, could result in damage to the product or loss of important data. Do not proceed beyond a **CAUTION** notice until the indicated conditions are fully understood and met.

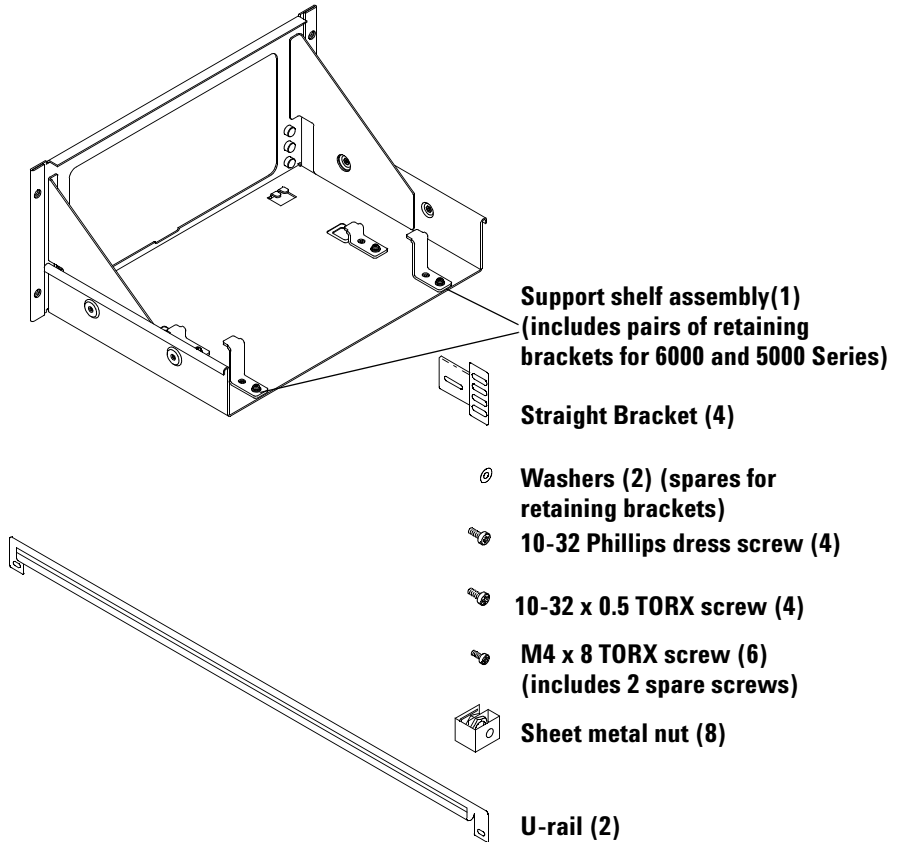
WARNING

A **WARNING** notice denotes a hazard. It calls attention to an operating procedure, practice, or the like that, if not correctly performed or adhered to, could result in personal injury or death. Do not proceed beyond a **WARNING** notice until the indicated conditions are fully understood and met.

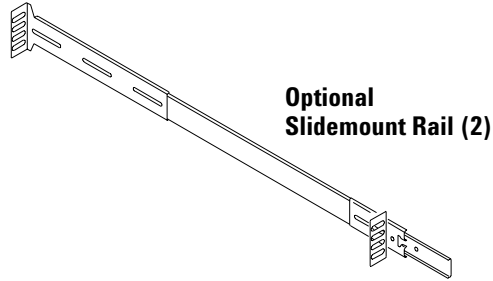
In This Guide...

This guide contains instructions for installing the 6000 and 5000 Series Oscilloscope Rack Mount Kit. The rack mount kit provides a support shelf and hardware for mounting Agilent 6000 or 5000 Series oscilloscopes into Electronic Industries Association (EIA) standard 19-inch (487-mm) rack cabinets.

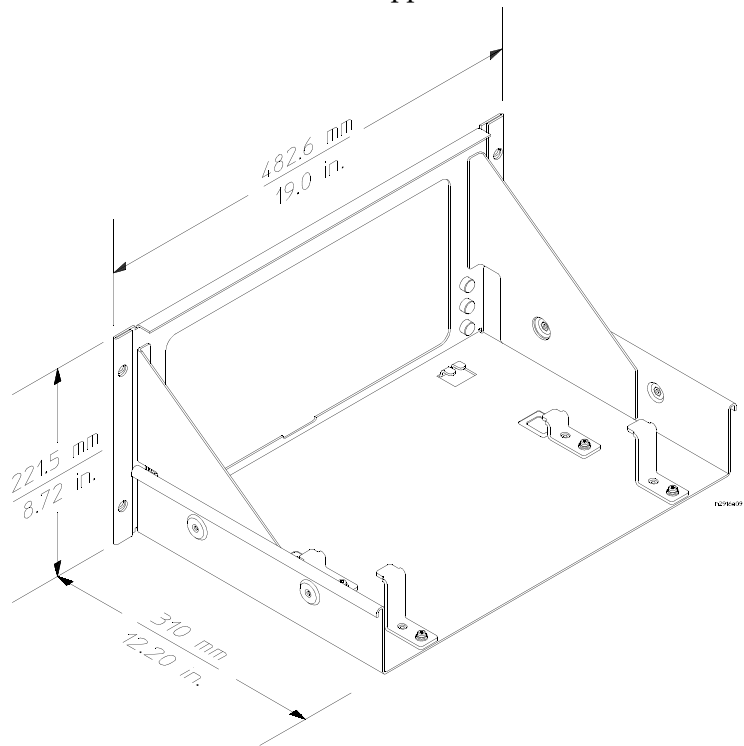
The rackmount kit includes the following parts:



The optional slidemount kit, part number 1494-0015, includes two slidemount rails. A slidemount rail is shown below.



Here are the dimensions of the support shelf.

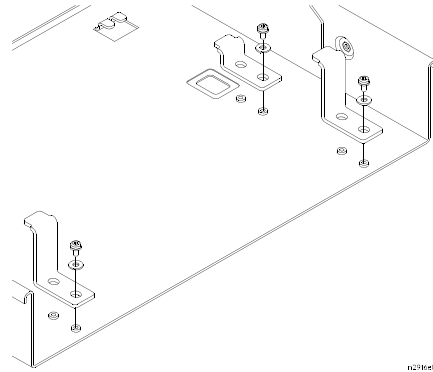


Installation

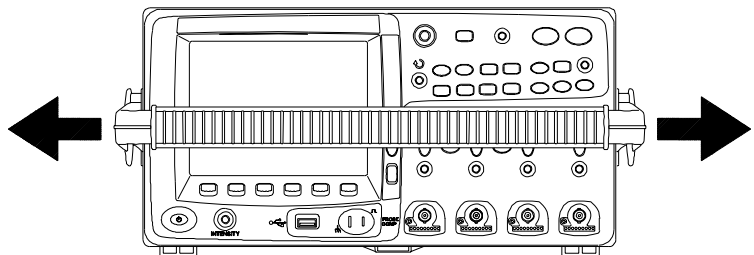
You will need the following tools to install the rackmount kit: T20 and T25 TORX drivers, and a #2 Phillips screwdriver.

Attach the oscilloscope to the support shelf

- 1 Remove the four screws and washers that secure the four retaining brackets. Set the screws, washers, and brackets aside.

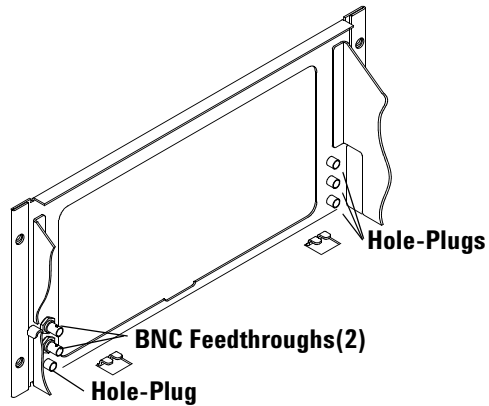


- 2 Grasp the oscilloscope's handle by the hubs and pull out.



- 3 Rotate the handle upward. Release the hubs when the oscilloscope's handle is pointing straight up (6000 model only)

- 4 If you plan to connect cables to the BNC feedthroughs, connect those cables to the inside of the support shelf. It is difficult to connect BNC cables to the feedthroughs after installing the oscilloscope on the support shelf because the oscilloscope occupies most of the width of the support shelf.



- 5 If your oscilloscope is an MSO model (6000 Series only), connect the 16-channel cable (Agilent part number 54620-61801) to the rear of the oscilloscope and secure it to the underside of the oscilloscope with the 54684-42301 cable tray (cable guide).

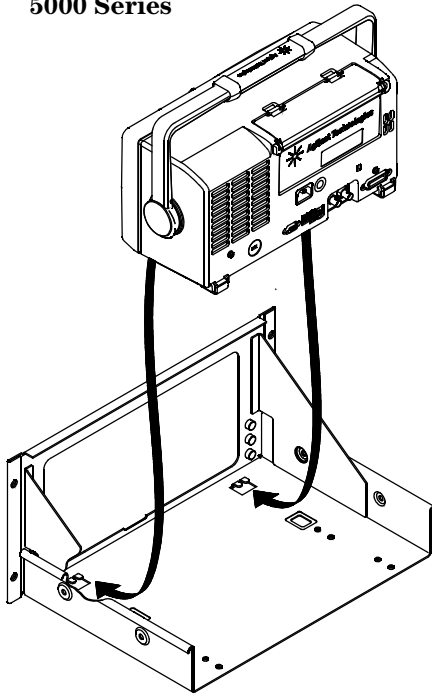
CAUTION

Be sure that you do not pinch, cut, or otherwise damage the digital signal cable while performing the rack mount kit installation.

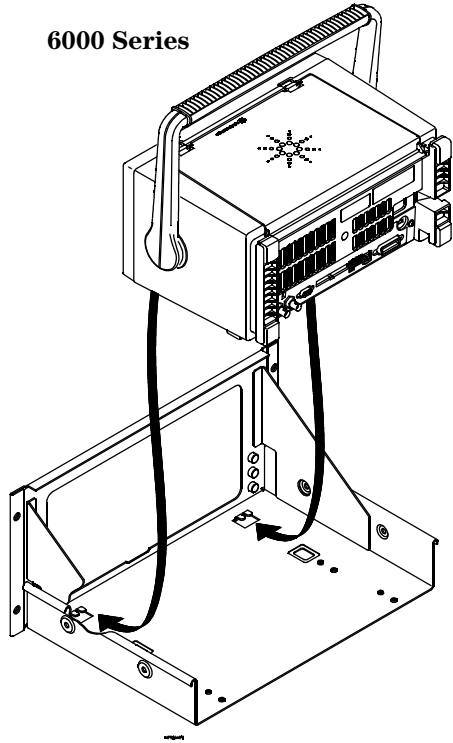
Attach the oscilloscope to the support shelf

- 1 Place the oscilloscope on the support shelf. Slightly raise the rear of the oscilloscope and slide it fully forward until it stops. Ensure that the support shelf's tabs engage the oscilloscope's front feet.

5000 Series



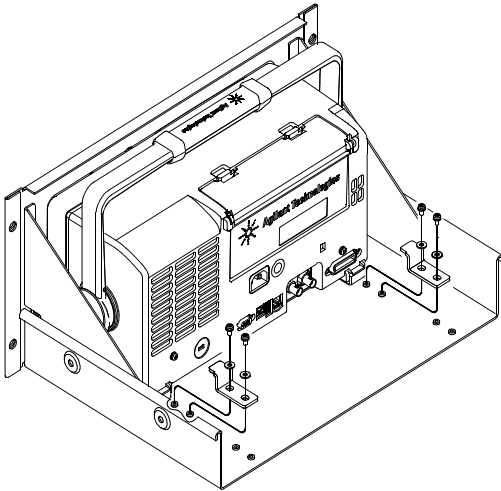
6000 Series



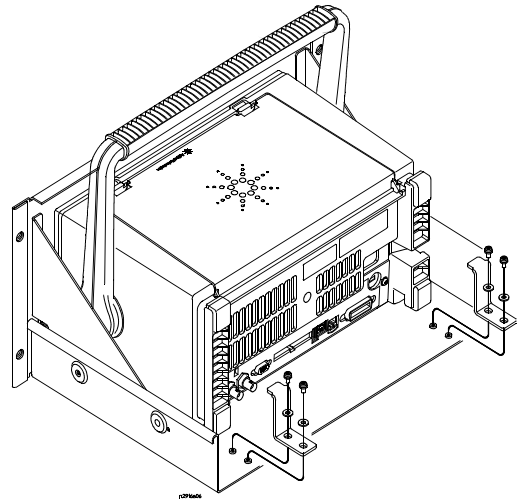
- 2 Push the oscilloscope fully forward on the support shelf assembly. Depending on model used, select and install two retaining brackets from the four that you previously removed (5000 Series use short brackets, 6000 Series use long brackets). Push the brackets fully forward until they stop against the oscilloscope's rear feet. Secure each bracket using two M4 x 8 screws and flat washers. Note: rear feet on 5000 series will rest in machined out areas on the support shelf assembly.

Note: two spare screws and washers are provided in this kit.

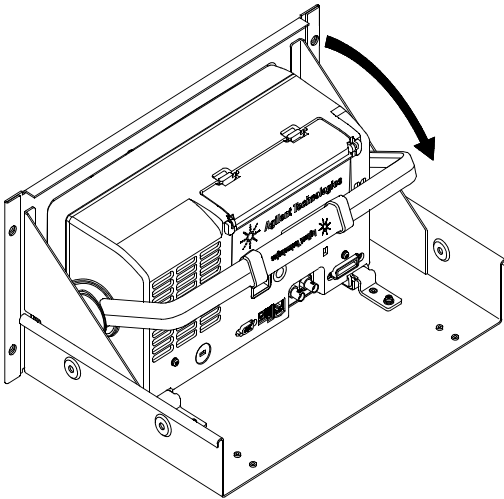
5000 Series (short brackets)



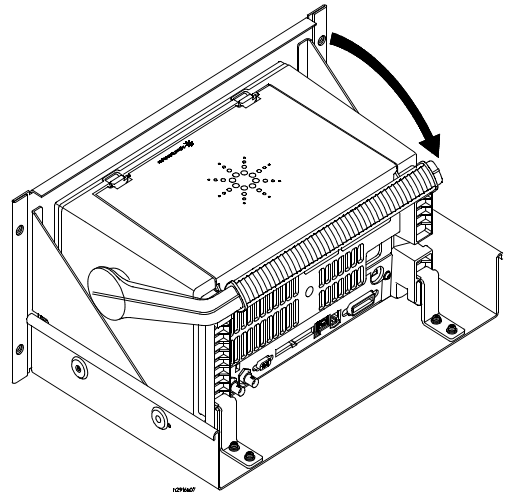
6000 Series (long brackets)



- 3 Grasp the handle by the hubs, pull out, and rotate it down until it locks in place as shown below.



5000 Series



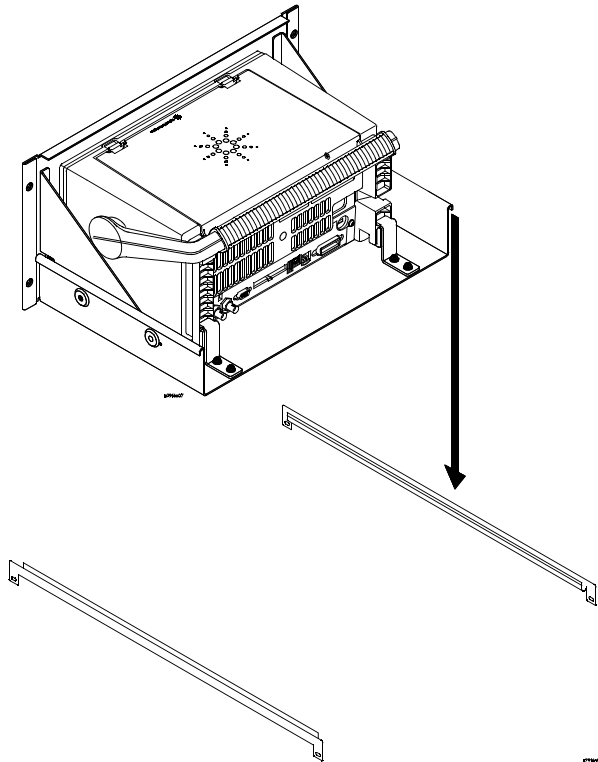
6000 Series

To install the support shelf *without* the optional slidemount kit

- 1 Attach the U- rails (with the side flanges down and the U- channel facing inward) to the rack cabinet. Secure the rails using two 10- 32 x 0.5 TORX screws and two sheet metal nuts for each rail.

The sheet metal nuts clip onto the rack cabinet. The U- channels on each side of the support shelf assembly sit on the U- rails in the rack cabinet.

- 2 Set the support shelf, with the oscilloscope attached, on the U- rails.
- 3 Fasten the support shelf to the rack cabinet using four 10- 32 dress screws and four sheet metal nuts.

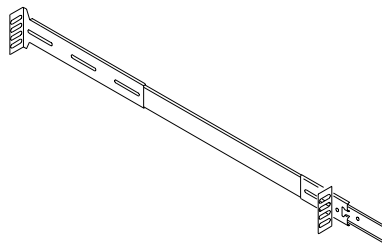


This completes the installation *without* the optional slidemount kit.

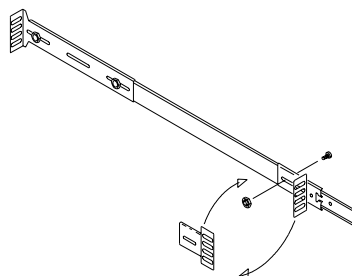
To install the support shelf with the optional slidemount kit

To slide mount the support shelf, you will need the optional slide kit, part number 1494-0015.

- 1 Press the locking tab on the inner slide member to disengage it from the outer slide member and slide the two pieces apart.



- 2 If your rack cabinet has support columns that use spring-loaded channel nuts, go to the next step. If your rack cabinet has folded steel support columns that use sheet metal nuts, remove the right angle mounting brackets (total of 4) from the outer slide members and replace them with the straight mounting brackets supplied with the kit.



- 3 Attach the outer members to the rack cabinet with rack cabinet hardware.
- 4 Attach the inner slide members to the support shelf with four M4 x 8 TORX screws (supplied with this kit).
- 5 Install the support shelf into the rack cabinet by sliding the inner slide members into the outer slide members. Press the

Installation

locking tab on the inner slide member to allow the support shelf to slide completely into the rack cabinet.

- 6** Fasten the support shelf to the rack cabinet using the four 10- 32 Phillips screws and four sheet metal nuts.

This completes the installation *with* the optional slidemount kit.

Agilent Technologies
Printed in the Malaysia

Manual Part Number
N2916-92002

