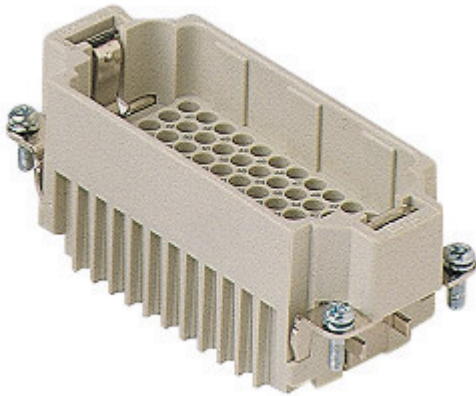




Item code

CDDM 72



Brief description:

male insert, 72 poles + PE, crimp connections, 10A 250V, 4kV, 2, size "77.27", CLASS insert series

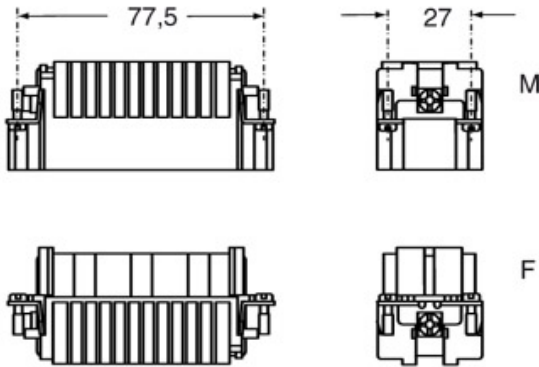
| Product description | | Approvals / Standards | |
|--|--|-------------------------------------|---|
| Model | male insert | Reference standard | EN 61984 (2001-11) |
| Version | crimp connections | Quality mark |  , EAC |
| Series | CDD | Conformity | CQC, CE |
| Product type | for male contacts 10A | General ordering information | |
| Family | CLASS inserts | EAN code | 8015747014182 |
| Size | size "77.27" | Tariff number | 85369095 |
| N° of poles | 72 poles +  | Country of origin | Made in EU (IT) |
| Technical data | | ETIM classification | EC000438 |
| Current | 10 A | Packaging Information | |
| Voltage | 250 V | Packaging length | 210,00 mm |
| Sustained impulse voltage | 4kV | Packaging height | 130,00 mm |
| Pollution degree | 2 | Packaging width | 240,00 mm |
| Operating temperature range (min, max) | -50°C ... +70°C | Packaging weight | 2,20 kg |
| Plugging cycles | ≥ 200 | Packaging volume | 6,55 dm ³ |
| IP degree of protection | IP20 without enclosure; IP65/IP66/IP67/IP68 with enclosure | Packaging description | Carton box |
| Connection type PE | Screw | Packaging quantity | 30 Pcs |
| Stripping length PE connection | 7 mm | Packaging EAN code | 8015747014199 |
| Wire cross section PE | 0,14 - 4 mm ² ; AWG 20 - 12 | Sub-packaging weight | 0,37 kg |
| Tightening torque for PE connection (screwdriver) | M4: 1,2 Nm, 10,6 lb.in (Ph2 or 1,0x5,5mm) | Sub-packaging description | Carton |
| Other technical details | | Sub-packaging quantity | 5 Pcs |
| Characteristics according to EN61984 | 10A 250V 4kV 2 | Sub-packaging EAN barcode | 8015747014205 |
| Insulation resistance | ≥ 1 GΩ | | |
| Contact resistance | ≤ 3 mΩ | | |
| Rated voltage according to UL/CSA | 600V | | |
| UL 94 flammability rating | V-0 | | |
| Tightening torque for fixing screws (screwdriver) | M3: 0.5 Nm; 4.4 lb.in (Ph1 or 0.8x4 mm) | | |
| Weight | 55,00 g | | |

Item code

CDDM 72



Catalogue drawings



Catalogue drawings

