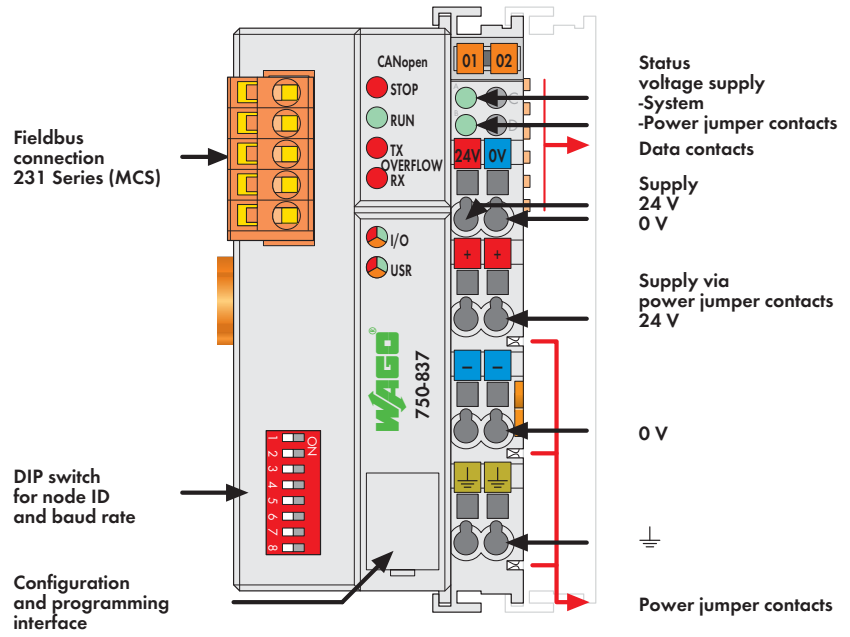


PLC - CANopen Programmable Fieldbus Controller, MCS

16-bit CPU



The CANopen PLC combines control functionality, I/O interface and fieldbus in one device.

Programming of the application is done in accordance with IEC 61131-3. The programmer can access all fieldbus and I/O data.

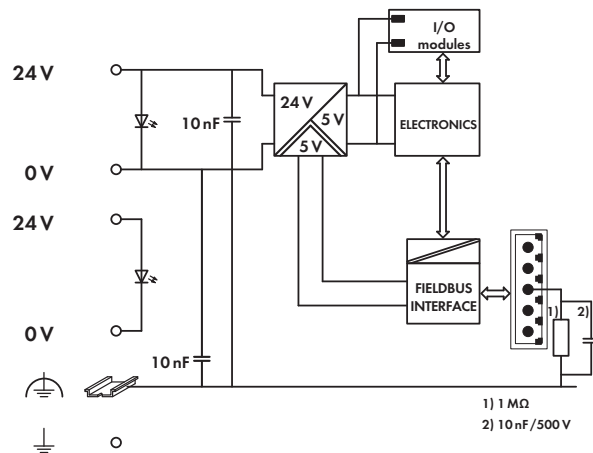
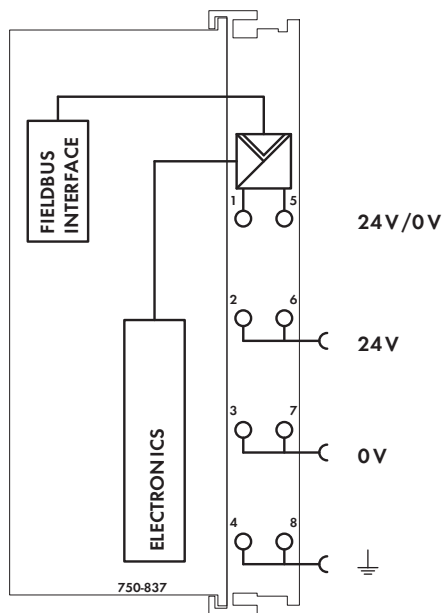
Features and applications:

- Use of decentralized control can better support a PLC or PC
- Complex applications can be divided into individually testable units
- Programmable fault response in the event of a fieldbus failure
- Signal pre-processing reduces fieldbus transmissions
- Peripheral equipment can be controlled directly, resulting in faster system response times
- Stand-alone, compact controller

Notice: EDS files required

Description	Item No.	Pack. Unit
CANopen Controller MCS	750-837	1
CANopen Controller MCS	750-837/020-000	1
Program memory 256 Kbytes; Data memory 192 Kbytes		
CANopen Controller MCS	750-837/021-000	1
Program memory 640 Kbytes; Data memory 832 Kbytes		
Accessories		
EDS files	Download: www.wago.com	
WAGO-I/O-PRO V2.3, RS-232 kit	759-333	1
Miniature WSB Quick marking system		
plain	248-501	5
with marking	see Section 11	
Approvals		
Conformity marking	CE	
Korea Certification	KCC	
Marine applications (versions upon request)	ABS, BV, DNV, GL, KR, LR, NKK, PRS, RINA	
UL 508		
ANSI/ISA 12.12.01	Class I, Div. 2, Grp. ABCD, T4	
TÜV 12.1297 X (Brazil)	Ex nA IIC T4 Gc	
TÜV 07 ATEX 554086 X	I M2 Ex d I Mb, II 3 G Ex nA IIC T4 Gc, II 3 D Ex tc IIIC T135°C Dc	
IECEx TUN 09.0001 X	Ex d I Mb, Ex nA IIC T4 Gc, Ex tc IIIC T135°C Dc	

System Data	
No. of controllers connected to Master	110
Transmission medium	Shielded Cu cable 3 x 0.25 mm ²
Max. length of bus line	30 m ... 1000 m (depends on baud rate/cable)
Baud rate	10 Kbaud ... 1 Mbaud
Buscoupler connection	5-pole male connector, 231 Series (MCS), female connector 231-305/ 010-000 (included)
Programming	WAGO-I/O-PRO 32, from firmware version SW 11, also programmable with WAGO- I/O-PRO V2.3
IEC 61131-3	IL, LD, FBD (CFC), ST, FC



Technical Data

Number of I/O modules	64
Max. input process image	512 bytes
Max. output process image	512 bytes
Max. input variables	512 bytes
Max. output variables	512 bytes
Configuration	automatic
Program memory	128 Kbytes
Data memory	64 Kbytes
Non-volatile memory (retain)	8 Kbytes
Cycle time	< 3 ms for 1,000 statements / 256 dig. I/Os
No. of PDOs	32 Tx / 32 Rx
No. of SDOs	2 server SDOs / 16 client SDOs
Communication profile	DS-301 V4.01
Device profile	DS-401 V 2.0
	Marginal check
	Edge-triggered PDOs
	Programmable error response
	DSP 405
	using function blocks NMT master can be programmed
COB ID distribution	SDO, standard
Node ID distribution	DIP switches
Other CANopen features	NMT slave
	Minimum boot-up
	Variable PDO mapping
	Emergency message
	Life guarding / heartbeat
	Configuration of virtual modules
Power supply	24 V DC (-25 % ... +30 %)
Max. input current (24 V)	500 mA
Power supply efficiency	87 %
Internal current consumption (5 V)	350 mA
Total current for I/O modules (5 V)	1650 mA
Isolation	500V system/supply
Voltage via power jumper contacts	24 V DC (-25 % ... +30 %)
Current via power jumper contacts (max.)	10 A DC

General Specifications

Operating temperature	0 °C ... +55 °C
Wire connection	CAGE CLAMP [®]
Cross sections	0.08 mm ² ... 2.5 mm ² / AWG 28 ... 14
Strip lengths	8 ... 9 mm / 0.33 in
Dimensions (mm) W x H x L	51 x 65 x 100
	Height from upper-edge of DIN 35 rail
Weight	200 g
Storage temperature	-25 °C ... +85 °C
Relative air humidity (no condensation)	95 %
Vibration resistance	acc. to IEC 60068-2-6
Shock resistance	acc. to IEC 60068-2-27
Degree of protection	IP20
EMC immunity of interference	acc. to EN 61000-6-2, marine applications
EMC emission of interference	acc. to EN 61000-6-4, marine applications