

UL® Listed 120 VAC 14x12x7 Inch Weatherproof Enclosure with Mounting Plate, Cooling Fan, Heater and Solid State Fan Controller Model: NB141207-1HFS-UL

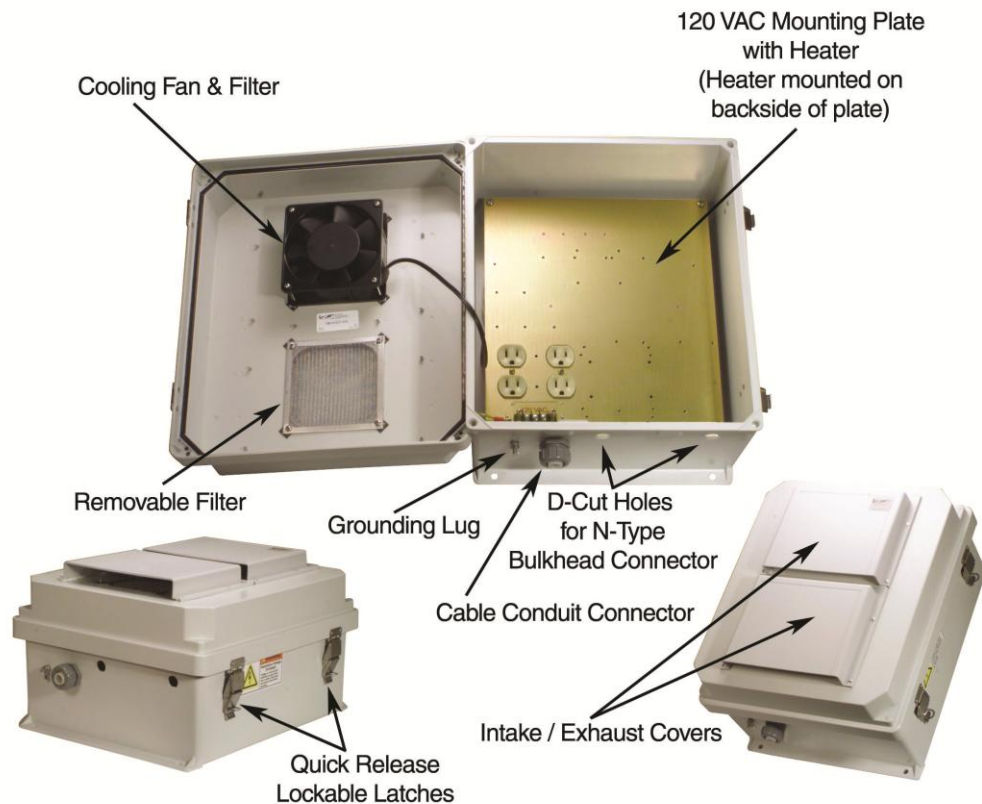
Applications and Features

Features:

- UL® Listed Enclosure E326684
- Molded fiberglass reinforced polyester enclosure
- Stainless steel quick release latches with padlock hasps
- Fully gasketed raised lid and Integral mounting flange
- NEMA Type 3R, 3RX / IP24 rated
- Features aluminum mounting plate with two, duplex 120 VAC Outlets
- Thermostat-controlled heating and cooling system
- Mounting plate can accommodate WLAN devices from Cisco®, Symbol®, D-Link® and more.
- Optional universal equipment shelf and mounting brackets available
- Fully customized configurations available

Applications:

- Installations Requiring UL® Approved Enclosures
- Remote Wireless LAN WiFi equipment installations
- Indoor and outdoor installations
- Hot and Cold temperature environments
- Rapid Deployment Installations and Hotspot applications
- Corrosive environments
- Protection of equipment from theft or damage



Product Description

UL® Listed Enclosures... The NB141207-1HFS-UL is approved and listed with UL, meeting the stringent requires for Communication Enclosure System 40XX. The UL listing number is E326684. Use this enclosure when UL Listed products are required by the project. Other UL Listed enclosures are available in many popular features.

Start with the Box... The box is a rugged weatherproof enclosure that is ideal for both indoor and outdoor applications. Constructed from molded fiberglass reinforced polyester, it is well suited for high temperature or corrosive environments. The mounting flange allows it to be wall mounted as well as on a flat surface. The raised lid features a stainless steel continuous hinge and stainless steel quick release latches with padlock hasps. The raised lid is fully gasketed. The enclosure material is UV stabilized and comes in machine tool gray.

Mounting Plate... The aluminum mounting plate has provisions to mount WLAN equipment from Cisco®, Symbol®, D-Link® and more (see mounting plate drawing). With the optional HGX-AMOUNT02 bracket a wide array of L-Com Power-Over-Ethernet products and Power Supplies can be mounted as well. Two of these brackets can be mounted side by side. Also available is the HGX-NMOUNT03 Universal Mounting Shelf that can be attached to the mounting plate and can accommodate additional equipment to be placed in the enclosure. The plate features four standard surge protected 120 VAC outlets and a terminal strip to supply power to internal equipment.

Hot and Cold Environments... To help ensure trouble-free operation of electronic equipment, proper operating temperatures inside an enclosure needs to be maintained. With the built-in Heater and Cooling system, internal temperatures can be better maintained. This model is ideal in Hot and Cold environments.

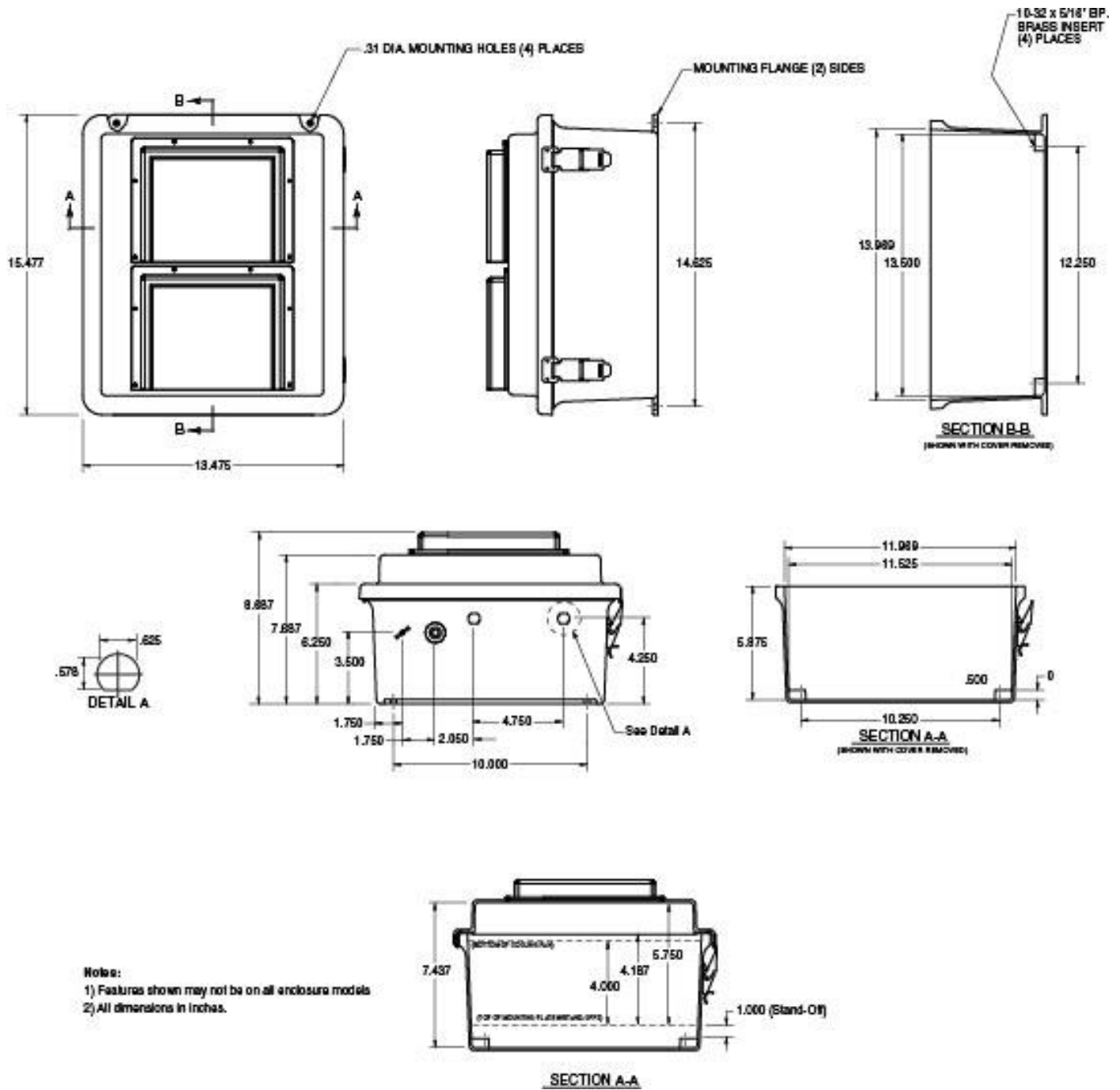
The NB141207-1HFS-UL comes with two 120 VAC 200 watt heating elements and two 120 VAC cooling fans. The fans and heaters are controlled by L-Com's exclusive solid-state temperature controller. The standard unit has a fan turn-on temperature of +93°F and a heat turn-on temperature of +16°F. The hysteresis window is 9°F. The controller features improved temperature set point accuracy and can be factory modified for other custom temperature set points as a custom. The heater and fan are controlled by two integral high current solid-state AC relays. The relays feature Zero Cross Detection for EMI reduction. No extra room for the controller is required since it is mounted underneath the plate.

Lightning Protection... Surge protection is provided as a standard feature on the internal AC outlets. In addition, the unit can accept up to two optional bulkhead-mount N-Type lightning protectors to protect the coaxial cable runs. Mounted to the optional HGX-AMOUNT02 bracket, the HGLN-CAT5 lightning protector can be used with Power-over-Ethernet applications.

Specifications

Enclosure Material	Fiberglass Reinforced Polyester
Enclosure Color	Machine Tool Gray
Voltage	120 VAC
Heater Power	200 Watts
Fan Power	22 Watts
Weight	12.5 lbs (5.6 kg)
Mounting Plate Material	.10" (2.5mm) Thick Anodized Aluminum
Mounting Plate Dimensions	12.7 x 10.8 inches (32.2 x 27.4 cm)
Outside Dimensions (max)	15.5 x 13.5 x 8.7 inches (39.3 x 34.2 x 22 cm)
Inside Dimensions	13.5 x 11.5 x 5.8 inches (34.3 x 29.2 x 14.7 cm)
Flame Rating	UL 94-5V
RoHS Compliant	Yes
Cable Feed	1/2" Cable Conduit Connector
Ratings	UL® LISTED (E326684)
Temperature Controller Specification	
Fan Set Point Temperature	33.8° C (93° F)
Hysteresis Window	5° C (9° F)

Enclosure Dimensions



Mounting Plate Details

