

14x12x7 Inch 48 VDC (PoE) Power-Over-Ethernet Powered, Weatherproof & Insulated Enclosure with Heating System - Model: NB141207-4H0N

Applications

- Remote Wireless LAN WiFi equipment installations
- Indoor and outdoor installations
- Sub-zero installations
- Rapid deployment installations
- Corrosive environments
- Protection of equipment from theft or damage

Features

- Molded fiberglass reinforced polyester (FRP) industrial enclosure with integral mounting flange
- 100% Foam insulated to minimize heat loss in sub-zero installations
- Stainless steel quick release latches with padlock hasps
- NEMA Type 4, 4X / IP66 rated
- Fully gasketed raised lid
- Features aluminum mounting plate & thermostat-controlled heating system



Power provided to the heating system from remote mounted DC Injector and Power Supply (Included)



Description

Start with the Box

The box is a rugged weatherproof NEMA Type 4X insulated enclosure that is ideal for both indoor and outdoor applications. Constructed from molded fiberglass reinforced polyester, it is well suited for high temperature or corrosive environments. The mounting flange allows it to be wall mounted as well as on a flat surface. The raised lid features a stainless steel continuous hinge and stainless steel quick release latches with padlock hasps. The raised lid is fully gasketed. The enclosure material is UV stabilized and comes in machine tool gray.

Sub-zero Applications

The NB141207C-4H0N enclosure is designed for use in sub-zero environments down to -30°F (-34°C). It features a 48 VDC thermostat controlled heating system that will along with the heat generated by an internal device such as an access point, maintain a nominal internal ambient temperature of +40°F (4°C). A single CAT5 cable provides power to the heating system from a remote mounted DC Injector and Power Supply which are included with the enclosure. An additional CAT5 cable would then be used to supply data and power to installed PoE equipment.

Mounting Plate

The aluminum mounting plate has provisions to mount WLAN equipment from Cisco®, Symbol®, D-Link®, HyperLink and more (see mounting plate drawing). With the optional HGX-AMOUNT02 bracket a wide array of HyperLink Amplifiers, Power-Over-Ethernet products and Power Supplies can be mounted as well. Two of these brackets can be mounted side by side. Also available is the HGX-NMOUNT03 Universal Mounting Shelf that can be attached to the mounting plate and can accommodate additional equipment to be placed in the enclosure.

This enclosure includes:

- BT-CAT5-NB2 - DC Injector: used to supply heating system power to a single NB141207-4H0N sub-zero heated enclosure
- PS4870-25R - 70W Power Supply for BT-CAT5-NB2 DC Injector: 48VDC@70W, 110/220 VAC, 2.5mm DC Plug

Application Note:

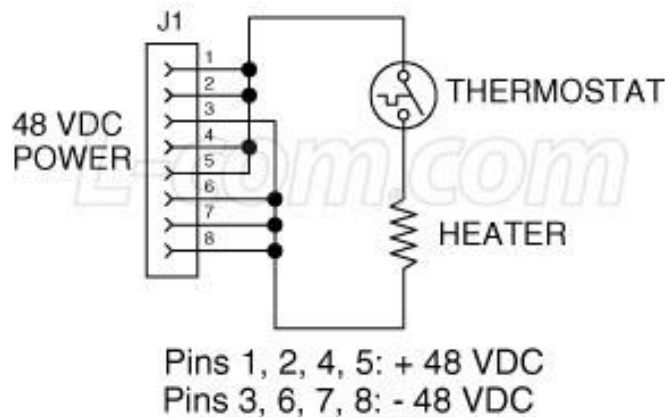
The Hyperlink NB141207-4H0N sub-zero NEMA enclosure uses a proprietary wiring pin out. The RJ-45 connectors on the NB141207-4H0N sub-zero NEMA enclosure or the Hyperlink sub-zero DC power injector, should never be connected to any other manufacturers equipment. Hyperlink Technologies, Inc. is not liable for any damage done to incompatible equipment due to misuse of the Hyperlink sub-zero NEMA equipment.

Enclosure Specifications

Enclosure Material	Fiberglass Reinforced Polyester
Enclosure Color	Machine Tool Gray
Weight	10.8 lbs (4.9 kg)
Dimensions (max)	15.3 x 13.3 x 8.7 in. (389 x 338 x 221 mm)
Environmental Ratings*	NEMA Type 4, 4X / IP66
Flame Rating	UL 94-5V
Temperature Rating (Depending on Equipment and Options)	Down to -34° C (-30° F to 110° F)
Enclosure Hardware	Stainless Steel
Cable Feed	1/2 in. Cable Conduit Connector
Mounting Plate Material	.10 in. (2.5mm) Thick Anodized Aluminum

*Note: Enclosure ports (Cable conduit connector and N-type holes for lightning protectors or connectors) must be properly sealed to maintain NEMA Type 4, 4X / IP66 rating.

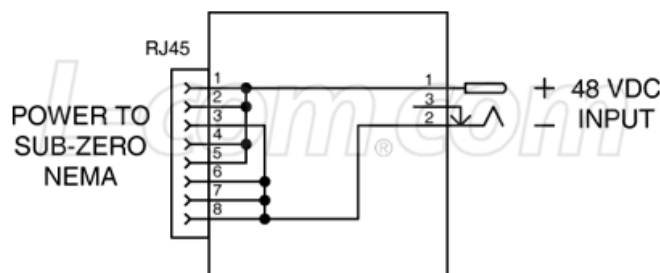
MOUNTING PLATE DIAGRAM - NB141207-4H0N



DC Injector Specifications

Enclosure Material	Cast Aluminum Alloy
Weight	.28 lbs (.13 kg)
Dimensions	3.6 x 1.4 x 1.2 in. (91.4 x 35.5 x 30.4 mm)

BT-CAT5-NB2



Application Diagram

