



# BG1002 ( $\varnothing 100 \times 25^L$ )



# NMB-MAT

EMINEBEA.COM

**End of Life Product  
Not Recommended for New Design**

## General Specifications

### Allowable Ambient Temperature Range:

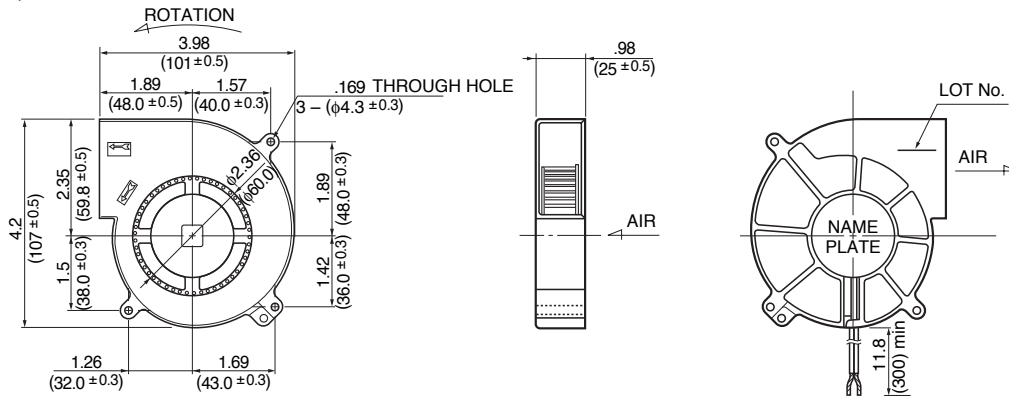
-10°C ~ +60°C (Operating)

-40°C ~ +60°C (Storage)

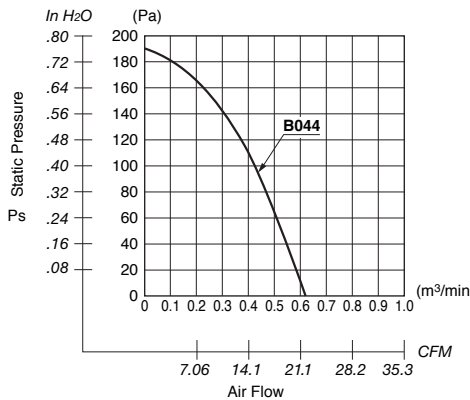
(non-condensing environment)

## Outline

Units:  $\frac{\text{inch}}{\text{(mm)}}$



## Characteristic Curves



## Material

- Casing : Plastic (Black) 94V-0
- Impeller : Plastic (Black) 94V-0
- Bearing : Ball Bearing
- Lead Wire : UL1007, AWG26, +Red, -Black

## Specifications

MODEL	Rated	Operating	Current	Input	Speed	Max.	Max. Static	Noise		Mass		
	Product No.	Voltage (V)	Voltage (V)	(A) <sup>*1</sup>	(W) <sup>*1</sup>	(min <sup>-1</sup> ) <sup>*1</sup>	Air Flow	Pressure				
		(V)	(V)	(A) <sup>*1</sup>	(W) <sup>*1</sup>	(min <sup>-1</sup> ) <sup>*1</sup>	CFM <sup>*1</sup>	(m <sup>3</sup> /min) <sup>*1</sup>	in H <sub>2</sub> O	(Pa) <sup>*1</sup>	(dB) <sup>*1</sup>	(g)
BG1002-B044-000-	00	12	6 ~ 13.8	0.56	6.7	3300	21.5	0.61	.76	190	47.0	170

Rotation: Counterclockwise

\*1: Average Values in Free Air