

Compensated High Current Choke, 3-phase



new



Description

- Current compensated choke
- 3-phase choke
- THT-terminals
- Flange for mounting onto printed circuit board

Unique Selling Proposition

- Compact size and light weight
- Open design for optimal cooling
- Nanocrystalline or ferrite ring cores
- Customer specific pin outs available

Standards

- EN 60938

Applications

- Frequency converter
- Charge stations
- UPS-systems
- Switching power supplies

Weblinks

[pdf datasheet](#), [html-datasheet](#), [General Product Information](#), [Approvals](#), [CE declaration of conformity](#), [RoHS](#), [CHINA-RoHS](#), [REACH](#), [Distributor-Stock-Check](#), [Detailed request for product](#)

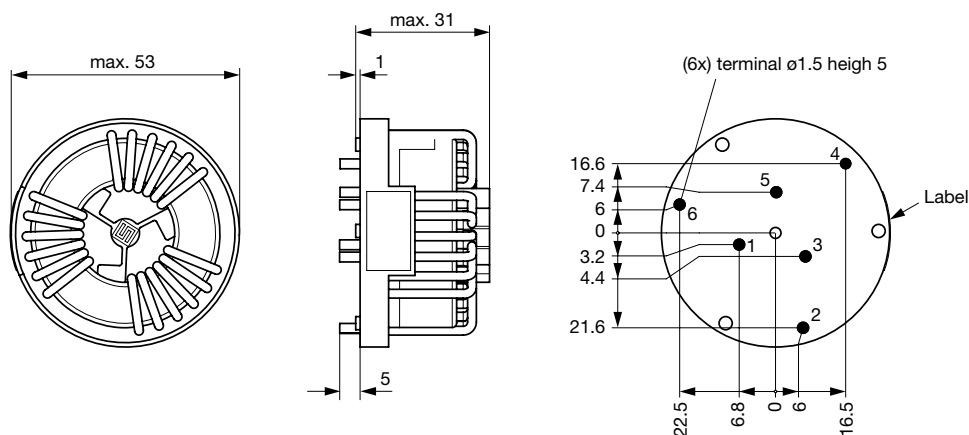
Technical Data

Rated voltage	max 600VAC	Test Voltage	3740VDC, 2 sec, winding to winding
Rated Current	10 - 50A @ Ta 40 °C	Climatic Category	40/100/21 acc. to IEC 60068-1
Rated inductance	0.08 - 10.8mH, Tol. -30% +50%	Allowable Operation Temp.	-40°C to 100°C
Power Operating Frequency	0 - 400Hz		
Terminal Type	THT		
Weight	90 - 160g		
Material: Housing	UL 94V-0		

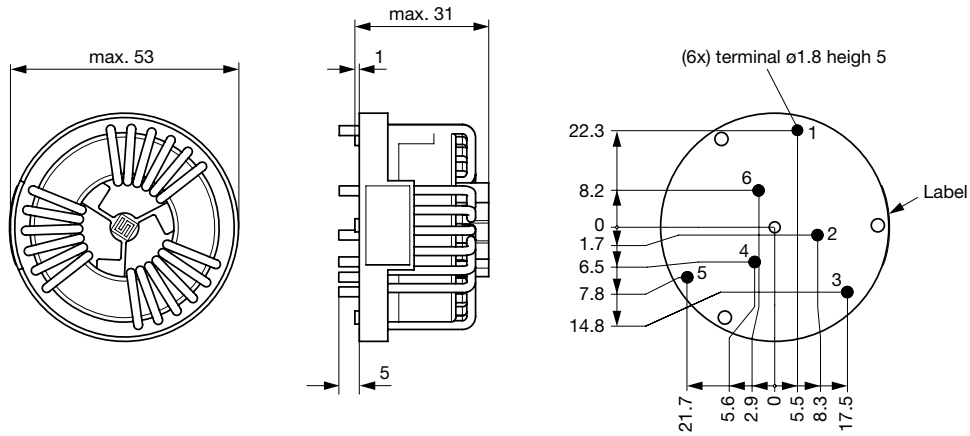
Detailed information on product approvals, code requirements, usage instructions and detailed test conditions can be looked up in [General Product Information](#)

Dimension

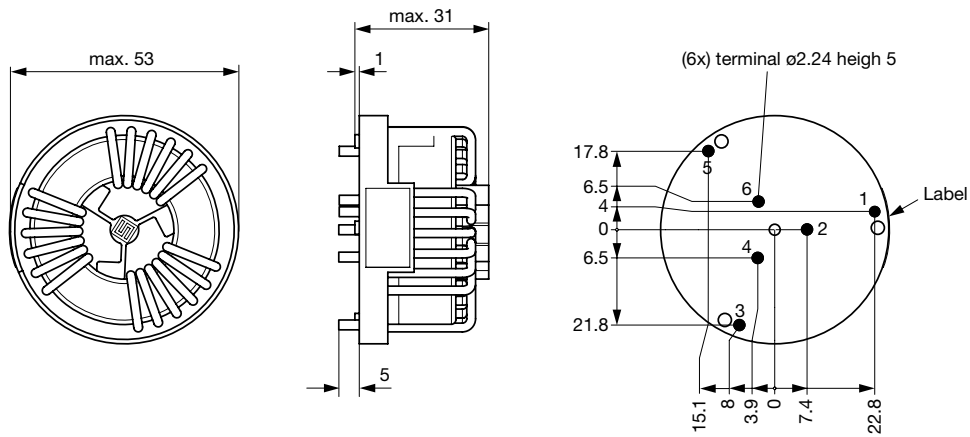
52-12



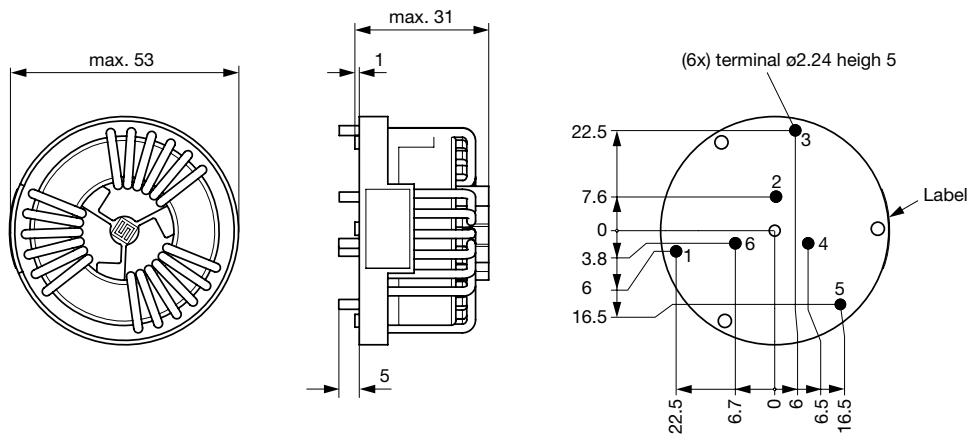
52-16



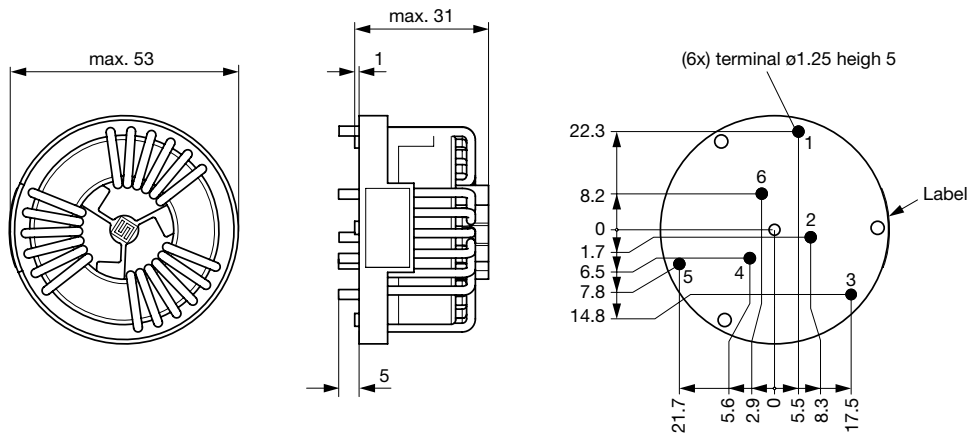
52-20



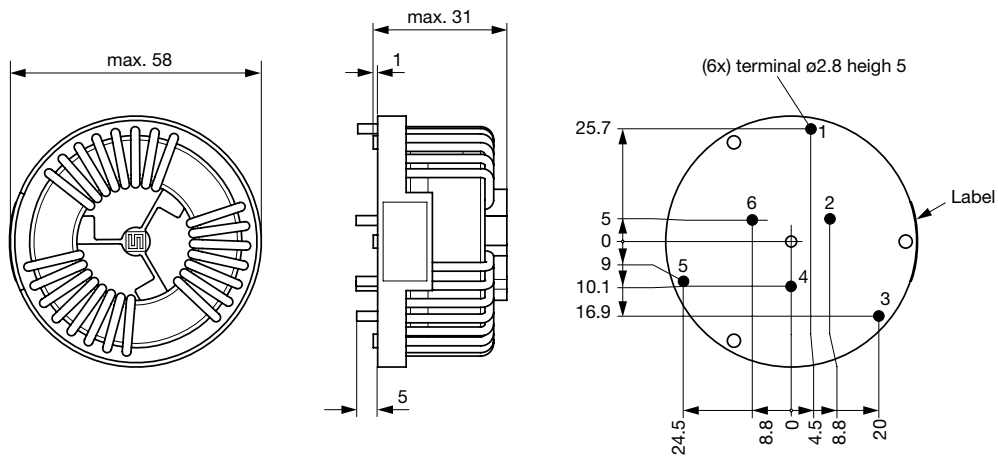
52-25



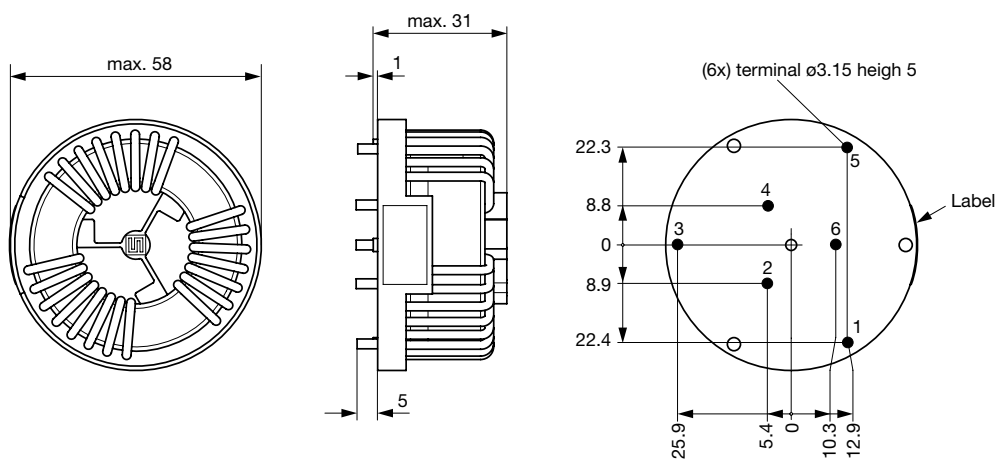
52-10



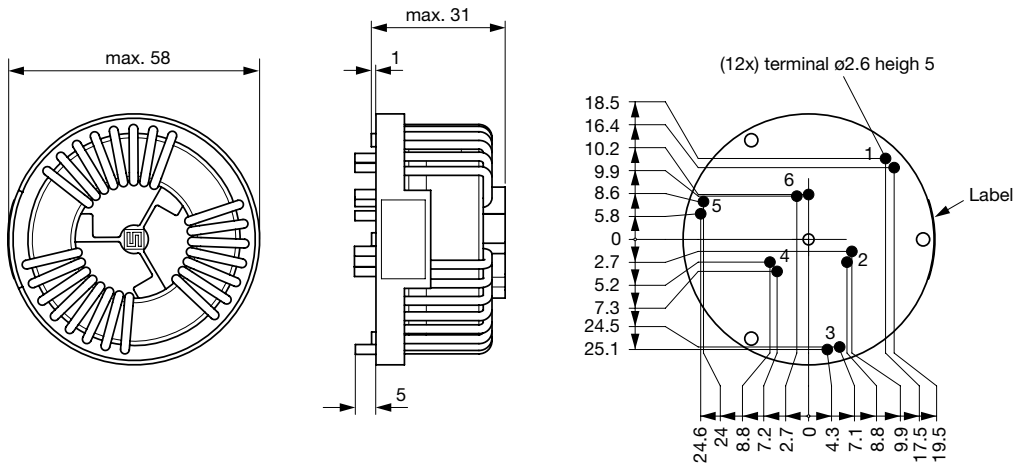
58-32



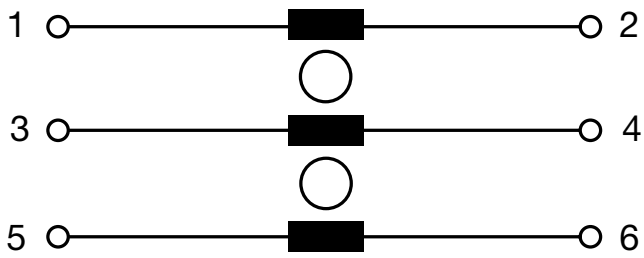
58-40



58-50



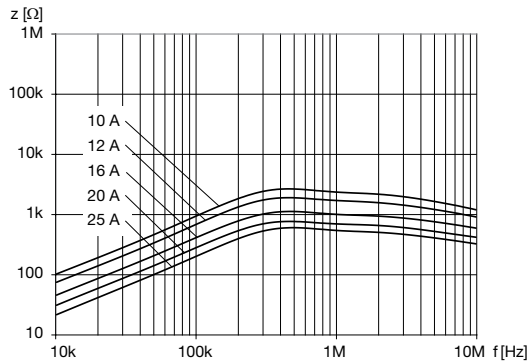
Diagrams



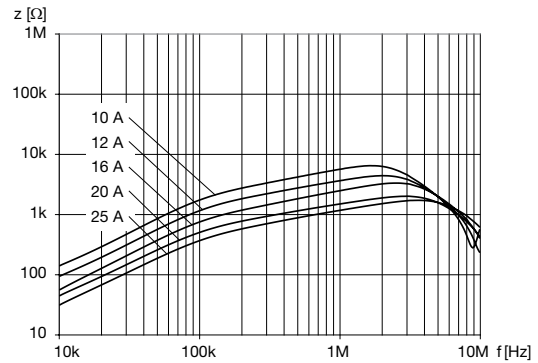
3 phases

Impedance curves

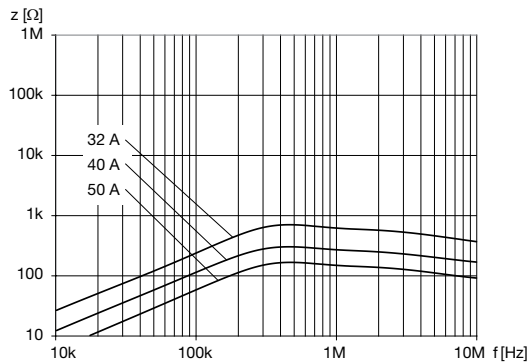
DKIH-3352-xxxx



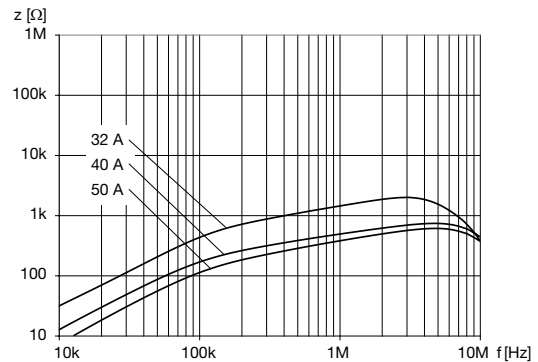
DKIH-3352-xxxx-NK



DKIH-3358-xxxx



DKIH-3358-xxxx-NK



All Variants

I_n [A]	L_n [mH]	R_{cu} [mΩ]	Power _{loss} [W]	f_{RES} [MHz]	Copper ϕ [mm]	Weight [g]	Housings	Packing unit [pcs.]	Order Number
10	1.1	7.5	2.3	0.5	1.25	90g	52-10	20	DKIH-3352-102J
10	10.8	7.5	2.3	1.5	1.25	90g	52-10	20	DKIH-3352-1011-NK
12	0.75	4.5	1.9	0.5	1.5	90g	52-12	20	DKIH-3352-12D8
12	7.2	4.5	1.9	2	1.5	90g	52-12	20	DKIH-3352-120Q-NK
16	0.46	3	2.3	0.5	1.8	90g	52-16	20	DKIH-3352-16D5
16	4.4	3	2.3	2.5	1.8	90g	52-16	20	DKIH-3352-162N-NK
20	0.35	1.5	1.8	0.5	2.24	105g	52-20	20	DKIH-3352-20D4
20	3.1	1.5	1.8	3	2.24	105g	52-20	20	DKIH-3352-204L-NK
25	0.24	1.2	2.3	0.5	2.24	100g	52-25	20	DKIH-3352-25D3
25	2.2	1.2	2.3	3.5	2.24	100g	52-25	20	DKIH-3352-254K-NK
32	0.33	1.1	3.4	0.4	2.8	155g	58-32	20	DKIH-3358-32D3
32	2.6	1.1	3.4	3	2.8	155g	58-32	20	DKIH-3358-326K-NK
40	0.15	0.6	2.9	0.4	3.15	145g	58-40	20	DKIH-3358-40D2
40	1.1	0.6	2.9	5	3.15	145g	58-40	20	DKIH-3358-401J-NK
50	0.08	0.4	3	0.4	2 x 2.5	160g	58-50	20	DKIH-3358-50C8
50	0.7	0.4	3	5	2 x 2.5	160g	58-50	20	DKIH-3358-50D7-NK

Most Popular.

Availability for all products can be searched real-time: <http://www.schurter.com/en/Stock-Check/Stock-Check-SCHURTER>