

IEC Plug I, Cord Connector (Rewireable), Angled



Rewireable connector



Example with assembled cable



**Description**

- Rewireable plug for cable 90° entry :  
Screwing cable terminal
- 1 Function
- Appliance Inlet , Pin temperature 70 °C , Protection class I
- Screw clamps

**Approvals**

- Approval Reference Type: 4789
- VDE Certificate Number: 40008629
- UL File Number: E96454
- CCC File Number: 2014010204709155

**Characteristics**

- Suitable for use in equipment according to IEC/UL 60950

**References**

Substitute for type 1611

**Weblinks**

[pdf datasheet](#), [html-datasheet](#), [General Product Information](#), [RoHS](#), [CHINA-RoHS](#), [REACH](#), [Distributor-Stock-Check](#), [Accessories](#), [Detailed request for product](#)

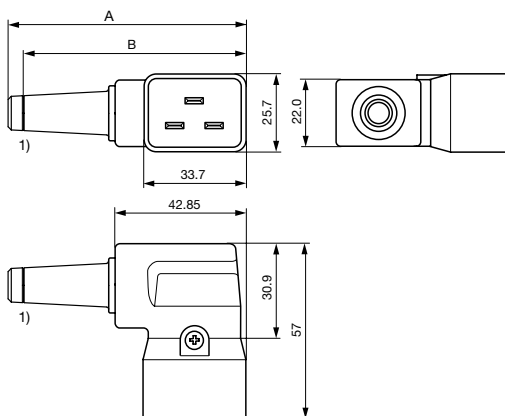
**Technical Data**

Ratings IEC	16A / 250VAC; 50Hz	appliance inlet/-outlet	Type I acc. to IEC 60320-1, UL 60320-1, CSA C22.2 no. 60320-1 (for cold conditions) pin-temperature 70 °C, 16A, Protection Class I
Ratings UL/CSA	20A / 250VAC; 60Hz		
Dielectric Strength	> 2kVAC between L-N > 2kVAC between L/N-PE (1 min/50Hz)		
Allowable Operation Temperature	-25°C to 70°C		
Insulation cover	Suitable for appliances with protection class I acc. to IEC 61140		
Terminal	Screw		
Material: Housing	Thermoplastic, black, UL 94V-0		

Detailed information on product approvals, code requirements, usage instructions and detailed test conditions can be looked up in [General Product Information](#)

**Dimensions**

4789



- 1) Cut strain relief 8 (10) mm here for 10 mm cable  
 A: Strain relief 8 mm: 77.85 mm  
 B: Strain relief 10 mm: 72.85 mm

## All Variants

Color	Max. cable diameter	Max. wire size	Order Number
black	8 (10) mm	3 x 1.5 mm <sup>2</sup> / 3 x 14 AWG	4789.1100
black	10 mm	3 x 1.5 mm <sup>2</sup> / 3 x 14 AWG	4789.1200

Most Popular.

Availability for all products can be searched real-time:<http://www.schurter.com/en/Stock-Check/Stock-Check-SCHURTER>

Max. torque for screws: Terminals: 0.8 Nm, Cable clamps: 0.8 Nm, Cover: 0.5 Nm

**Packaging unit** 50 Pcs

## Mating Outlets/Connectors

## Category / Description



[Appliance Outlet Overview complete](#)

IEC Appliance Outlet J, Snap-in/Screw-on Mounting, Front Side, Solder or Quick-connect Terminal	4797
IEC Appliance Outlet J, Screw-on Mounting, Front Side, Quick-connect Terminal	5017
IEC Appliance Outlet J, Screw-on Mounting, Front Side, Quick-connect Terminal	5216

[Appliance Outlet further types to 4789](#)



[Connector Overview complete](#)

IEC Connector C19, Rewireable, Straight	4795
IEC Connector C19, Rewireable, Angled	4790
IEC Connector C19, Rewireable, Straight	0104U

[Connector further types to 4789](#)