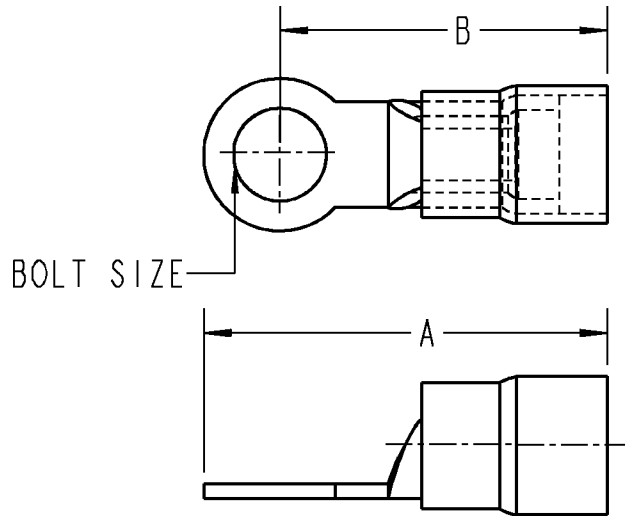


**T&B****Sta-Kon®****NOTES:**

1. MATERIALS:
 TERMINAL: COPPER.
 GRIP SLEEVE: COML BRONZE.
 INSULATOR: NYLON.
2. TERMINAL AS NOTED CONFORMS TO MIL-T-7928.
3. INSTALLING TOOLS: WT-1452.

ALL DIMENSIONS ARE APPROXIMATE, FOR REFERENCE ONLY.

CAT. NO.*	BOLT SIZE	A. MAX	B. MAX/MIN	MS 25036 DASH NO.
RZ103	#10	.763	.622/.586	----
RZ83	#8	.763	.622/.586	----
RZ23	#2	.582	.500/.454	----
RZ43	#4	.662	.540/.502	----
RZ63	#6	.662	.540/.502	----
RZ22-2	#2	.582	.500/.454	-43
RZ33	#3	.662	.540/.502	----
RZ22-4	#4	.662	.540/.502	-44
RZ53	#5	.662	.540/.502	----
RZ22-6	#6	.662	.540/.502	-45
RZ22-8	#8	.763	.622/.586	-46
RZ22-10	#10	.763	.622/.586	-47

* FOR NICKEL PLATED TERMINALS (NOT MILITARY APPROVED)
 ADD NP SUFFIX TO CATALOG NUMBER.

GENERAL NOTES

1. ALL DIMENSIONS ARE FOR REFERENCE ONLY.
2. DIMENSIONS IN BRACKETS [] ARE IN METRIC UNITS.

REVISIONS

** SEE ERN (****)
 FOR APPROVAL SIGNATURES
 & RELEASE DATE.
 PROJECT NO: ****

Thomas & Betts
 www.tnb.com

DESCRIPTION: **ASSY, OF INSULATED, INSULATION GRIP
 RZ TERMINALS**

ORIGINAL PROJECT NO / (ERN NO)

TM401323 / (2006066)

SHEET NO:

1 OF 1

REV. NO:

-

DRAWING NO:

WSD-000204