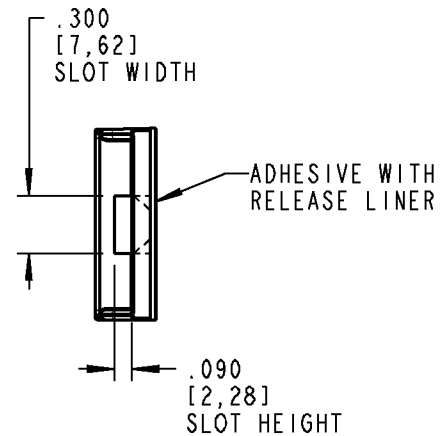
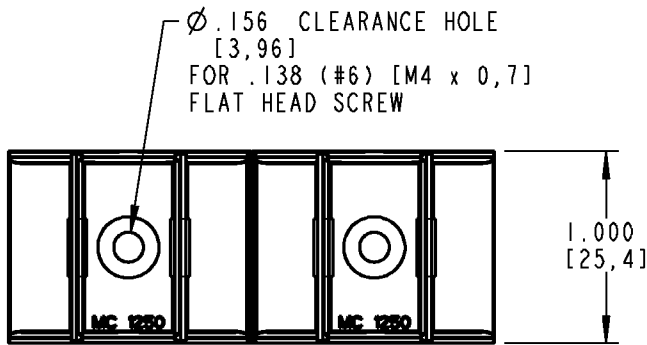
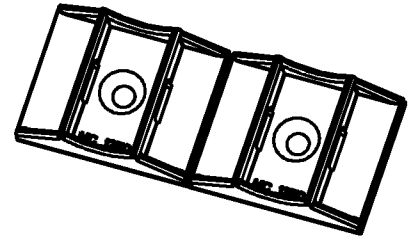
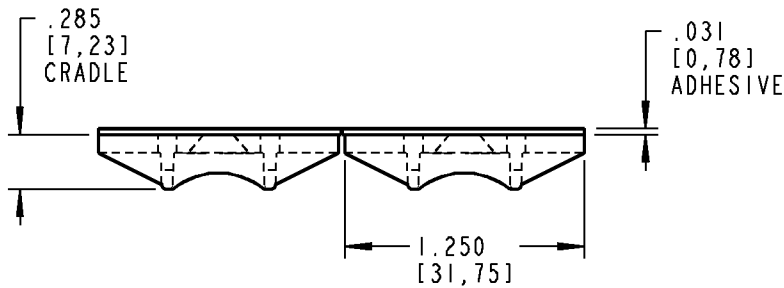


# Ty-Rap




**NOTES:**

1. MATERIAL (CRADLE): NYLON 6,6
2. FLAMMABILITY (CRADLE): UL94V-2
3. ADHESIVE: CLOSED CELL FOAM WITH SYNTHETIC RUBBER ADHESIVE ON BOTH SIDES
4. APPLICATION TEMPERATURE: 65° [18°C] TO 120° [49°C]
5. STORAGE/SERVICE TEMPERATURE: 32°F [0°C] TO 150°F [65°C]
6. ACCEPTS CABLE TIES TO 50 LBS [220N] TENSILE
7. SURFACE PREPARATION: MOUNTING SURFACE SHOULD BE CLEANED WITH ALCOHOL BASED (IPA) CLEANER BEFORE APPLICATION
8. ALLOW 15 MINUTES SET-UP FOR MAXIMUM PERFORMANCE OF ADHESIVE

CATALOG NUMBER

**MCNY - 1250 - \* - \*\***

\* = COLOR CODE - 0 = BLACK 9 = NATURAL  
 \*\* = PACKAGING - C = STD PKG (100) D = BULK PKG (500)

<b>GENERAL NOTES</b>		 www.tnb.com				
1. ALL DIMENSIONS ARE FOR REFERENCE ONLY. 2. DIMENSIONS IN BRACKETS [ ] ARE IN METRIC UNITS.						
<b>REVISIONS</b>		<b>ADHESIVE MOUNTING CRADLE</b>				
- SEE ERN (****) FOR APPROVAL SIGNATURES & RELEASE DATE. PROJECT NO: ****		DESCRIPTION: <b>ADHESIVE MOUNTING CRADLE</b>	ORIGINAL PROJECT NO / ( ERN NO ) <b>FM401183 / ( 2007645 )</b>	SHEET NO: <b>1 OF 1</b>	REV. NO: <b>-</b>	DRAWING NO: <b>WSD-000324</b>