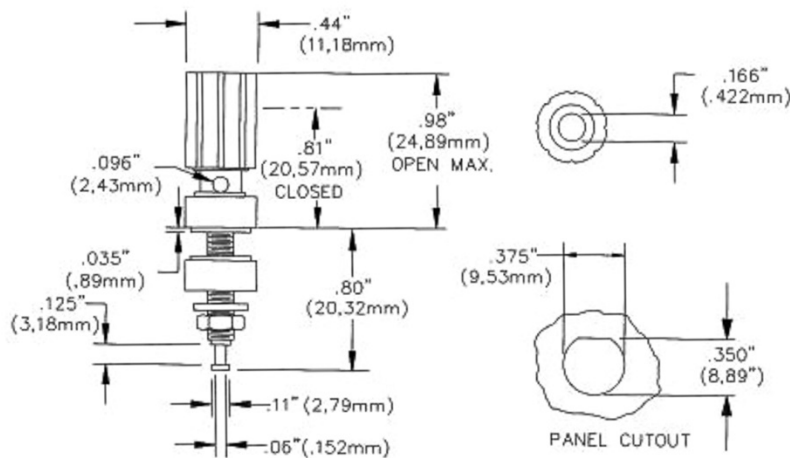


**BU-P3750-\***  
(Gold Plated Binding Post)



- Panel Thickness Between .070" and .250"
- Accepts non-shrouded or retractable 4mm banana plugs, bare wire or spade lugs
- Material:   Contacts—Gold Plated Brass  
                  Insulator—Polycarbonate
- Color: The "\*" in the model number represents color. Available colors are:  
          -0 Black, -2 Red, -4 Yellow, -5 Green, -6 Blue, -9 White
- Ratings: Hands free testing to 2500 VRMS., 15 Amps.
- Temperature: -50°C to 115°C
- RoHS Compliant