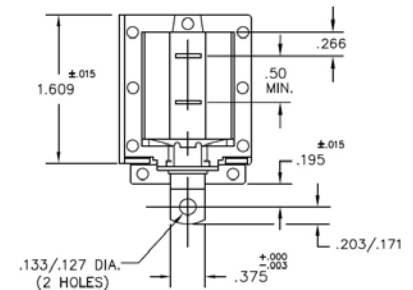
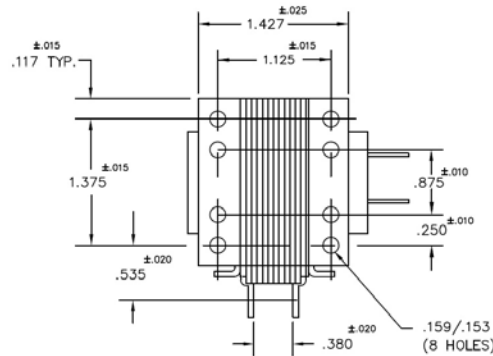
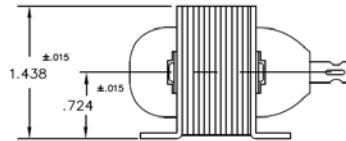
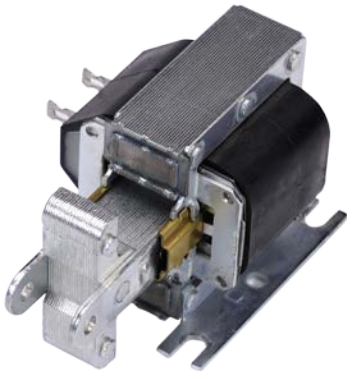


Series 1000 – 3/4" Stack

AC Laminated Pull Solenoid

Size: 1.609" L X 1.427" W X 1.438" H

ALL PRODUCTS ARE RoHS COMPLIANT



Solenoid shown energized in drawing with plunger fully seated

Part No.	Duty Cycle	Voltage	Resistance (Ω) ± 5%	Max On Time	Watts Seated (W)	Current Seated (A)
1250-A-1	Continuous	120 VAC / 60Hz	64	∞	10.7	0.28
1750-A-1	Intermittent	120 VAC / 60 Hz	40.5	3 mins	17.7	0.50
1251-A-1	Continuous	240 VAC / 60 Hz	258	∞	9.0	0.13
1751-A-1	Intermittent	240 VAC / 60 Hz	161	3 mins	19.5	0.26
8902-1	Continuous	120 VAC / 50 Hz	70.5	∞	10.7	.28

Continuous Duty = 100% "On" Time
 Intermittent Duty = 20% "On" Time
 When ordering please refer to Part No. as listed above

Stroke (in.)	Typical Pull Force (oz.)								Holding Force (oz.)
	0.030	0.060	0.125	0.250	0.375	0.500	0.625	0.750	
Continuous Duty	128	112	65	48	40	33	28	17	80
Intermittent Duty	240	160	104	70	64	62	56	32	N/A

Additional Specifications:

- Dielectric Strength: 1500 VRMS
- Heat Sink: None
- Coil Insulation: Class "A": 105°C Max Temperature
- Coil Termination: Solder Lugs
- Total Unit Weight: 9.2 oz. / 260 g



innovating motion