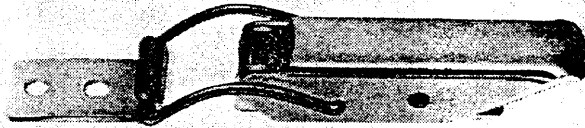


716-8147, 716-8159, 716-8160

**TL801
TL802**



An extension of the TL802B latch, the TL801B offers the same advantages and also permits use in limited space. The base of the TL801B is maintained within the lever envelope and is offered with plain base without holes and unplated for welding. A special narrow plain strike, TL801-2, is available for use with this latch. Suitable for use on steel clamping bands.

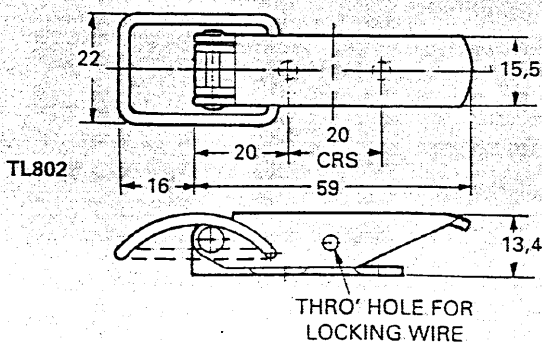
Latch TL802 is dimensionally identical to TL801, but the base has holes for rivetting or screwing. The TL802 is available with straight or curved links, TL802A and TL802B respectively. Use TL802-2 strike with TL802 latch.

TECHNICAL DATA

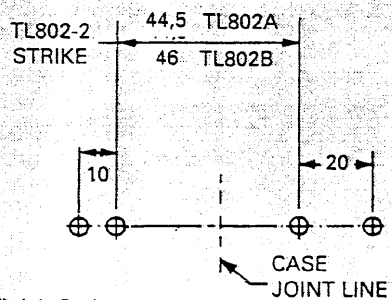
Technical details of the TL801/TL802 series are as TL800, except that they are capable of operating in width dimension of 24mm.

INSTALLATION DATA

Latches and strikes may be fitted with either 4mm dia round head rivets #6 Unified round head screws #6 round head woodscrews. Fixing holes in latches and strikes are 4,15mm dia Posn. Tol. = 0,25mm.



TYPICAL INSTALLATION DIAGRAM



Finish Codes see page 75