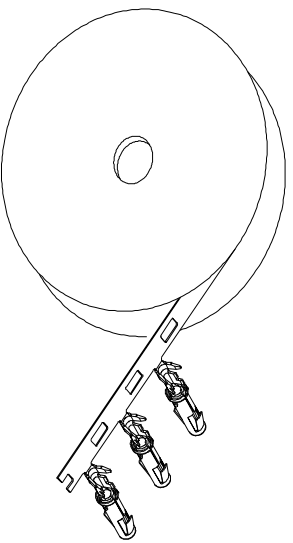


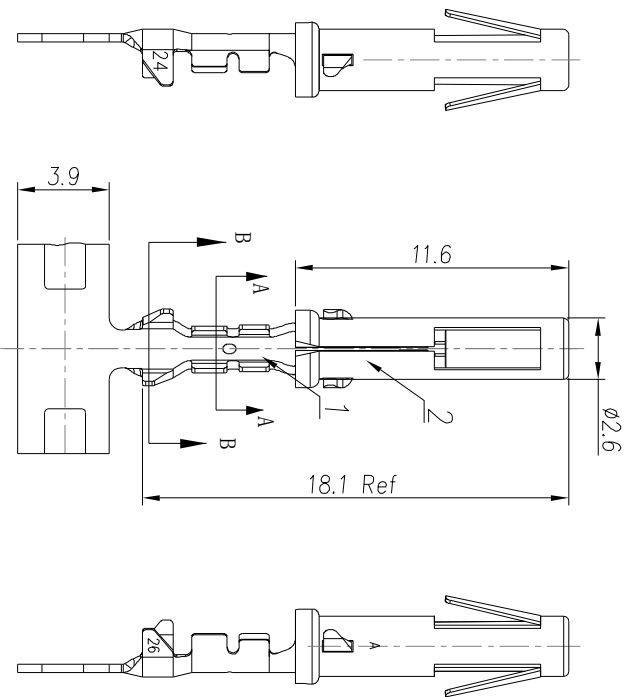
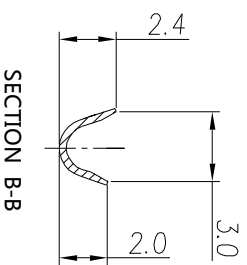
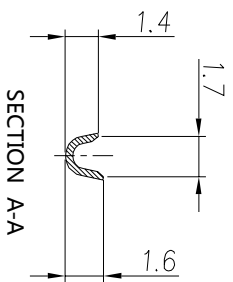
| REVISIONS | | | | |
|-----------|-----|------------------|-------------|-------------|
| REV | ECO | DESCRIPTION | DATE | BY APPR |
| B1 | - | RELEASED DRAWING | JAN-18-2014 | ARROW TOMMY |



CONTACT ORIENTATION ON ROLL

NOTES : (UNLESS OTHERWISE SPECIFIED)

1. MATERIAL :
 - 1.1. CONTACT BODY : COPPER ALLOY.
 - 1.2. OUTER SPRING : STAINLESS STEEL.
2. SPECIFICATIONS :
 - 2.1 CURRENT RATING : 13A MAX.
 - 2.2 TERMINATION TYPE : CRIMPING.
 - 2.3 WIRE RANGE : 24~26AWG.
3. ROHS COMPLIANT.
4. ALL DIMENSIONS ARE FOR REFERENCE USE ONLY.
5. AVAILCABLE TOOLS :
 - 5.1 HAND CRIMPER : MFX-3954.
 - 5.2 CRIMP APPLICATOR : MFX-3957.
 - 5.3 EXTRACTION TOOL : QXRT16.



| P/N | CONTACT PLATING(MATING AREA) |
|-----------|---------------------------------|
| SS24MIT | TIN PLATING OVER NICKEL. |
| SS24M1F | GOLD FLASH PLATING OVER NICKEL. |
| SS24M1G10 | 10u" GOLD PLATING OVER NICKEL. |
| SS24M1G15 | 15u" GOLD PLATING OVER NICKEL. |
| SS24M1G30 | 30u" GOLD PLATING OVER NICKEL. |

| QUANTITY | PART NUMBER | DESCRIPTION | ITEM |
|---|-------------|--|------|
| | | MATERIALS LIST | |
| UNLESS OTHERWISE SPECIFIED 1) ALL DIMENSIONS ARE IN MILLIMETERS. 2) TOLERANCES ARE AS SHOWN. 3) PL: DEC 20 08 4) FIN: DEC 20 08 5) HOLE REFERENCE = Δ | | | |
| PROCESS SPECIFICATIONS: 1) ALL DIMENSIONS ARE IN MILLIMETERS. 2) TOLERANCES ARE AS SHOWN. 3) PL: DEC 20 08 4) FIN: DEC 20 08 5) HOLE REFERENCE = Δ | | THIS DRAWING IS SUPPLIED FOR SPECIFICATIONS AND PERFORMANCE DATA ONLY. THE DIMENSIONS AND TOLERANCES OF REPRODUCTION ARE LIMITED. ALL MANUFACTURING VARIATION. | |
| MATERIAL SPECIFICATIONS: CUSTOMER: | | ecotime™, SOCKET CONTACT, STAMPED, 24-26AWG, SIZE 16 | |
| SIGNATURES DRAWN: ARROW CHECKED: JWH/TZH ENGINEER: APPROVAL: | | Sine Systems - www.amphenol-sine.com 44724 Morley Drive Clinton Township, MI 48038 | |
| SCALE: NONE | | SIZE: B TYPE: C- DIM: UC DRAWING NO: SS24M1XX REVISION: B1 | |
| NEXT ASST: | | SHEET 1 OF 1 | |

TITLES:

SECRET CONTACT, STAMPED, 24-26AWG, SIZE 16

DWG NO:

SS24M1XX

REV: B1

SH: 1

QF: 1