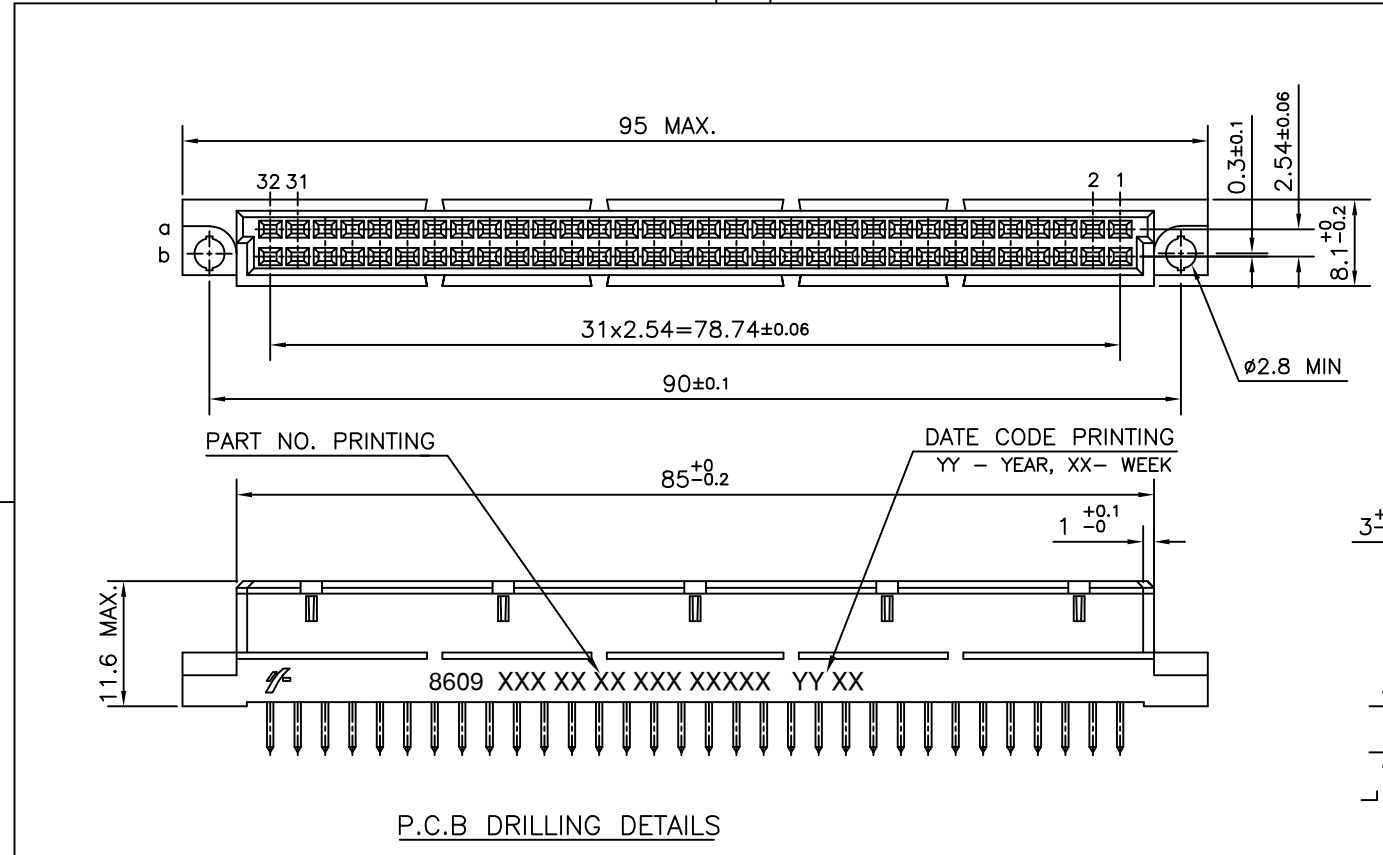


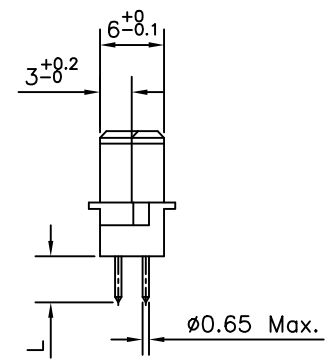
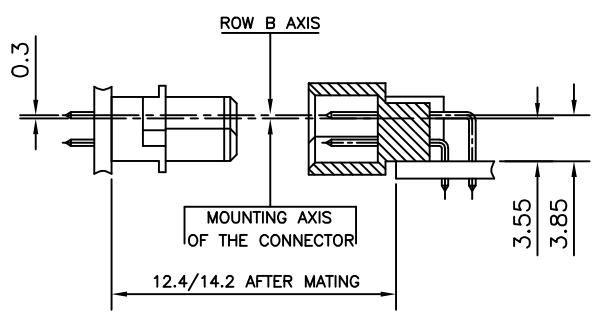
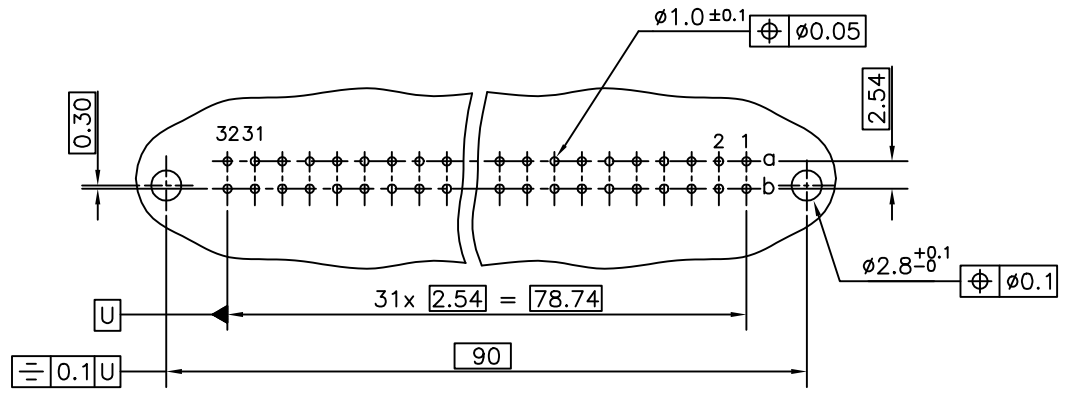
Tous droits strictement réservés. Reproduction ou communication a des tiers interdite sous quelque forme que ce soit sans autorisation écrite du Propriétaire de c FCI. Droits de reproduction FCI.

**FCI**

All rights strictly reserved. Reproduction or issue to third parties in any form whatever is not permitted without written authority from the proprietor. Property of FCI. Copyright FCI.



P.C.B DRILLING DETAILS



24	2.5
14	4.0
TERM. STYLE	L +0.7/-0

**TECHNICAL SPECIFICATION**

HOUSING MATERIAL : THERMOPLASTIC POLYESTER UL 94 V-0, GREY  
 HOUSING CAN WITHSTAND EXPOSURE TO LEAD FREE WAVE SOLDERING TEMPERATURE OF 260-265°C FOR STRAIGHT CONNECTORS AS IT IS IN CLASSICAL LEAD WAVE SOLDERING AT 235-250°C

CONTACT MATERIAL : COPPER ALLOY

CONTACT PLATING : GOLD OVER NICKEL

ACTIVE ZONE : GOLD OVER NICKEL

TERMINATION ZONE : TIN LEAD OVER NICKEL

TIN LEAD VERSION : TIN (PURE MATTE) OVER Ni

LEAD FREE VERSION : TIN (PURE MATTE) OVER Ni

**ELECTRICAL DATA**

CURRENT RATING AT 20°C : 1.5 A

CURRENT (I MAX) : 2 A

TEMPERATURE RANGE : -55°C/ +125°C

CONTACT RESISTANCE : ≤ 20mΩ

INSULATION RESISTANCE : ≥ 10<sup>6</sup> MΩ

TEST VOLTAGE (rms) : 1000V

**MECHANICAL DATA**

INSERTION FORCE PER CONTACT : ≤ 0.94N

EXTRACTION FORCE PER CONTACT : ≥ 0.15N

REFERENCE SPECIFICATIONS : DIN 41612 / IEC 603-2

SERIES	8609	2	64	6	1	14	7	5	5	000E1
ROWS FITTED WITH CONTACTS										
Rows a b -	2	64								
Rows a -	1	32								
NUMBER OF CONTACTS										
TYPE OF INSULATOR										
2 ROW FEMALE INSULATOR	6									
METHOD OF MOUNTING										
STANDARD MOUNTING - STYLE B	1									
TERMINATION										
LONG STRAIGHT SPILL (L - SEE TABLE)	14									
SHORT STRAIGHT SPILL (L - SEE TABLE)	24									
OPTIONS										
NO OPTION	7									
PERFORMANCE CLASS										
4 - DIN 41612 CLASS 3	4									
5 - DIN 41612 CLASS 2	5									
6 - DIN 41612 CLASS 1	6									
8 - AS PER MIL C 55302/JSS 50808	8									
PITCH PER ROW										
2.54	5									
000E1	TIN LEAD VERSION									
E1LF	LEAD FREE VERSION									

**NOTES:-**

1. THE "LF" PRODUCTS MEET EUROPEAN UNION DIRECTIVES AND OTHER COUNTRY REGULATIONS AS DESCRIBED IN GS-22-008

2. THE HOUSING WILL WITHSTAND EXPOSURE TO 260°C PEAK TEMPERATURE FOR 3.5 SECONDS IN A WAVE SOLDER APPLICATION WITH A 1.6 MM MINIMUM THICK CIRCUIT BOARD

3. LEAD FREE OR RoHS DIRECTIVE LABELING TO BE PROVIDED AS PER GS-14-920 FOR LEAD FREE VERSION.

b	19/05/2005	TECHNICAL SPECIFICATION MODIFIED AND LEAD FREE NOTE ADDED.
a	22/09/2004	DRAWING NO. WAS C-8609-0107 REV.c
INDEX	DATE	REVISION DESCRIPTION

ltr	Ecn no	Dr	date
b	105-0042	MINI	19/05/2005
a	104-0100	MINI	09/11/2004

Dr	Mini K Vandanth	22/09/2004	Product Family	8609	Tolerance	LINEAR ±0.1 ANGULAR ±1°	Projection	MM
Eng	Rakhee George	22/09/2004	Spec ref		Size	A3	Scale	
Chr	Rakhee George	19/05/2005	Material	SEE TECH. SPEC.	ECN			
Appr	K Somasundaram	19/05/2005						
<b>FCI</b>		Title		DIN STANDARD RECEPTACLE (STRAIGHT SPILL DIN41612 STYLE-B)	Dwg no		C-8609-2020	
DIENGGIEURO/8609		Catalog no		8609---61147-5XXXXX, 8609---61247-5XXXXX	CUSTOMER COPY		Sheet 1 of 1	