

Base strip - MSTBA 2,5/11-G-5,08 - 1757336

Please be informed that the data shown in this PDF Document is generated from our Online Catalog. Please find the complete data in the user's documentation. Our General Terms of Use for Downloads are valid (<http://phoenixcontact.com/download>)

Header, nominal current: 12 A, rated voltage (III/2): 320 V, number of positions: 11, pitch: 5.08 mm, Color: green, contact surface: Tin, mounting: Wave soldering




The figure shows a 10-position version of the product

Why buy this product

- ✓ Maximum flexibility when it comes to device design – one header for connectors with different connection technologies
- ✓ Well-known mounting principle allows worldwide use
- ✓ Plug-in direction parallel to the PCB
- ✓ Closed contour for optimum stability of the plug-in connection



Key Commercial Data

| | |
|--------------------------------------|---|
| Packing unit | 50 STK |
| GTIN |  4 017918 029869 |
| GTIN | 4017918029869 |
| Weight per Piece (excluding packing) | 3.700 g |
| Custom tariff number | 85366930 |
| Country of origin | Germany |

Technical data

Dimensions

| | |
|--------------------------|----------|
| Length [l] | 12 mm |
| Pitch | 5.08 mm |
| Dimension a | 50.8 mm |
| Width [w] | 57.8 mm |
| Constructional height | 8.6 mm |
| Height [h] | 12.1 mm |
| Length of the solder pin | 3.5 mm |
| Pin dimensions | 1 x 1 mm |

Base strip - MSTBA 2,5/11-G-5,08 - 1757336

Technical data

Dimensions

| | |
|---------------|--------|
| Hole diameter | 1.4 mm |
|---------------|--------|

General

| | |
|--|-----------------|
| Range of articles | MSTBA 2,5/...-G |
| Insulating material group | I |
| Rated surge voltage (III/3) | 4 kV |
| Rated surge voltage (III/2) | 4 kV |
| Rated surge voltage (II/2) | 4 kV |
| Rated voltage (III/3) | 250 V |
| Rated voltage (III/2) | 320 V |
| Rated voltage (II/2) | 400 V |
| Connection in acc. with standard | EN-VDE |
| Nominal current I_N | 12 A |
| Maximum load current | 12 A |
| Insulating material | PA |
| Flammability rating according to UL 94 | V0 |
| Color | green |
| Number of positions | 11 |

Standards and Regulations

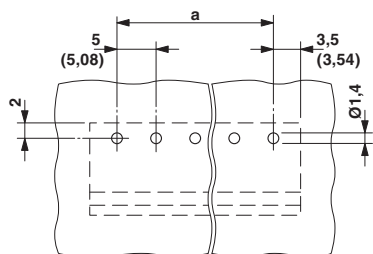
| | |
|--|--------|
| Connection in acc. with standard | EN-VDE |
| | CSA |
| Flammability rating according to UL 94 | V0 |

Environmental Product Compliance

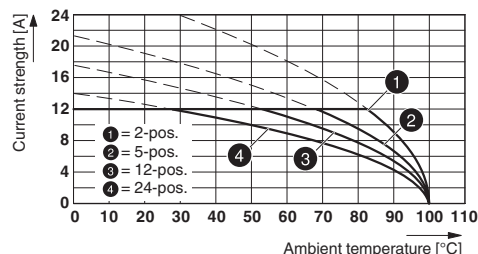
| | |
|------------|---|
| China RoHS | Environmentally friendly use period: unlimited = EFUP-e |
| | No hazardous substances above threshold values |

Drawings

Drilling diagram

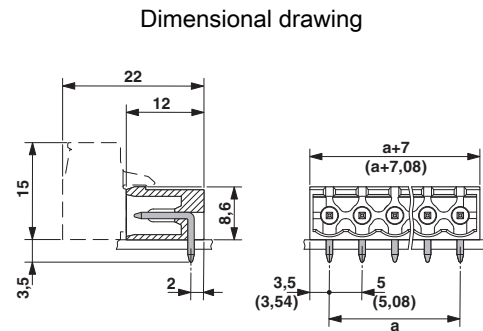
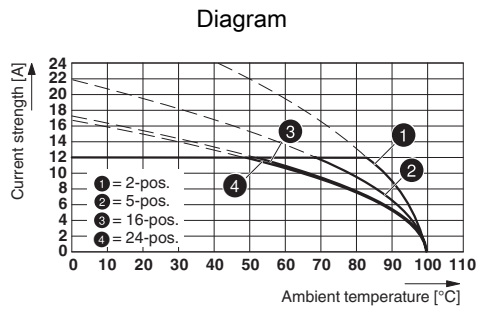


Diagram



Type: ICV 2,5/...-G-5,08 with MSTBA 2,5/...-G-5,08

Base strip - MSTBA 2,5/11-G-5,08 - 1757336



Type: IC 2,5/...-G-5,08 with MSTBA 2,5/...-G-5,08

Classifications

eCl@ss

| | |
|------------|----------|
| eCl@ss 4.0 | 272607xx |
| eCl@ss 4.1 | 27260701 |
| eCl@ss 5.0 | 27260701 |
| eCl@ss 5.1 | 27260701 |
| eCl@ss 6.0 | 27260704 |
| eCl@ss 7.0 | 27440402 |
| eCl@ss 8.0 | 27440402 |
| eCl@ss 9.0 | 27440402 |

ETIM

| | |
|----------|----------|
| ETIM 3.0 | EC001121 |
| ETIM 4.0 | EC002637 |
| ETIM 5.0 | EC002637 |
| ETIM 6.0 | EC002637 |

UNSPSC

| | |
|---------------|----------|
| UNSPSC 6.01 | 30211810 |
| UNSPSC 7.0901 | 39121409 |
| UNSPSC 11 | 39121409 |
| UNSPSC 12.01 | 39121409 |
| UNSPSC 13.2 | 39121409 |

Approvals

Approvals

Approvals

CSA / VDE Gutachten mit Fertigungsüberwachung / IECCE CB Scheme / cULus Recognized / EAC

Ex Approvals

Base strip - MSTBA 2,5/11-G-5,08 - 1757336

Approvals

Approval details

| | | | |
|--------------------------------|--|-------|-------|
| CSA | | | 13631 |
| | | B | D |
| Nominal current I _N | | 15 A | 10 A |
| Nominal voltage U _N | | 300 V | 300 V |

| | | | |
|--|--|--|----------|
| VDE Gutachten mit Fertigungsüberwachung | | http://www.vde.com/en/Institute/OnlineService/ VDE-approved-products/Pages/Online-Search.aspx | 40004701 |
| | | | |
| Nominal current I _N | | 12 A | |
| Nominal voltage U _N | | 250 V | |

| | | | |
|--------------------------------|--|---|----------------|
| IECEE CB Scheme | | http://www.iecee.org/ | DE1-58978-B1B2 |
| | | | |
| Nominal current I _N | | 12 A | |
| Nominal voltage U _N | | 250 V | |

| | | | |
|--------------------------------|--|---|-----------------|
| cULus Recognized | | http://database.ul.com/cgi-bin/XYV/template/LISEXT/1FRAME/index.htm | E60425-19931011 |
| | | B | D |
| Nominal current I _N | | 15 A | 10 A |
| Nominal voltage U _N | | 300 V | 300 V |

| | | | |
|-----|--|--|---------|
| EAC | | | B.01742 |
|-----|--|--|---------|

Accessories

Accessories

Coding element

Base strip - MSTBA 2,5/11-G-5,08 - 1757336

Accessories

Coding star - CR-MSTB - 1734401



Coding section, inserted into the recess in the header or the inverted plug, red insulating material

Filler plug

Accessories - MSTB-BL - 1755477



Keying cap, for forming sections, plugs onto header pin, green insulating material

Labeled terminal marker

Marker card - SK 5,08/3,8:FORTL.ZAHLEN - 0804293



Marker card, Card, white, labeled, Horizontal: Consecutive numbers 1 - 10, 11 - 20, etc. up to 91 - (99)100, Mounting type: adhesive, for terminal block width: 5.08 mm, Lettering field: 5.08 x 3.8 mm

Marker pen

Marker pen - B-STIFT - 1051993



Marker pen, for manual labeling of unprinted Zack strips, smear-proof and waterproof, line thickness 0.5 mm

Terminal marking

Marker card - SK 5,08/3,8:UNBEDRUCKT - 0805412



Marker card, Card, white, unlabeled, can be labeled with: Marker pen, Mounting type: adhesive, for terminal block width: 5.08 mm, Lettering field: 5.08 x 3.8 mm

Base strip - MSTBA 2,5/11-G-5,08 - 1757336

Accessories

Additional products

Printed-circuit board connector - FKCN 2,5/11-ST-5,08 - 1754652

Plug component, nominal current: 12 A, rated voltage (III/2): 320 V, number of positions: 11, pitch: 5.08 mm, connection method: Push-in spring connection, Color: green, contact surface: Tin



Printed-circuit board connector - MSTB 2,5/11-ST-5,08 - 1757103

Plug component, nominal current: 12 A, rated voltage (III/2): 320 V, number of positions: 11, pitch: 5.08 mm, connection method: Screw connection with tension sleeve, Color: green, contact surface: Tin



Printed-circuit board connector - MSTB 2,5/11-STZ-5,08 - 1764293

Plug component, nominal current: 12 A, rated voltage (III/2): 320 V, number of positions: 11, pitch: 5.08 mm, connection method: Screw connection with tension sleeve, Color: green, contact surface: Tin



Printed-circuit board connector - MSTBP 2,5/11-ST-5,08 - 1769104

Plug component, nominal current: 12 A, rated voltage (III/2): 320 V, number of positions: 11, pitch: 5.08 mm, connection method: Screw connection with tension sleeve, Color: green, contact surface: Tin



Printed-circuit board connector - FRONT-MSTB 2,5/11-ST-5,08 - 1777374

Plug component, nominal current: 12 A, rated voltage (III/2): 320 V, number of positions: 11, pitch: 5.08 mm, connection method: Front screw connection, Color: green, contact surface: Tin



Base strip - MSTBA 2,5/11-G-5,08 - 1757336

Accessories

Printed-circuit board connector - MSTBT 2,5/11-ST-5,08 - 1781072



Plug component, nominal current: 12 A, rated voltage (III/2): 320 V, number of positions: 11, pitch: 5.08 mm, connection method: Screw connection with tension sleeve, Color: green, contact surface: Tin

Printed-circuit board connector - MVSTBR 2,5/11-ST-5,08 - 1792333



Plug component, nominal current: 12 A, rated voltage (III/2): 320 V, number of positions: 11, pitch: 5.08 mm, connection method: Screw connection with tension sleeve, Color: green, contact surface: Tin

Printed-circuit board connector - MVSTBW 2,5/11-ST-5,08 - 1792841



Plug component, nominal current: 12 A, rated voltage (III/2): 320 V, number of positions: 11, pitch: 5.08 mm, connection method: Screw connection with tension sleeve, Color: green, contact surface: Tin

Printed-circuit board connector - MSTBC 2,5/11-ST-5,08 - 1808900



Plug component, nominal current: 12 A, rated voltage (III/2): 320 V, number of positions: 11, pitch: 5.08 mm, connection method: Crimp connection, Color: green, Corresponding female crimp contacts with current [A] and conductor cross section range [mm²] data: 10A/MSTBC-MT 0,5-1,0 (3190564); 10A/MSTBC-MT 0,5-1,0 BA (3190645); 12A/MSTBC-MT 1,5-2,5 (3190551); 12A/MSTBC-MT 1,5-2,5 BA (3190658). BA = Bandkontakte

Printed-circuit board connector - MSTBC 2,5/11-STZ-5,08 - 1809598



Plug component, nominal current: 12 A, rated voltage (III/2): 320 V, number of positions: 11, pitch: 5.08 mm, connection method: Crimp connection, Color: green, Corresponding female crimp contacts with current [A] and conductor cross section range [mm²] data: 10A/MSTBC-MT 0,5-1,0 (3190564); 10A/MSTBC-MT 0,5-1,0 BA (3190645); 12A/MSTBC-MT 1,5-2,5 (3190551); 12A/MSTBC-MT 1,5-2,5 BA (3190658). BA = Bandkontakte

Base strip - MSTBA 2,5/11-G-5,08 - 1757336

Accessories

Printed-circuit board connector - MSTBU 2,5/11-STD-5,08 - 1824214



Plug component, nominal current: 12 A, rated voltage (III/2): 320 V, number of positions: 11, pitch: 5.08 mm, connection method: Screw connection with tension sleeve, Color: green, contact surface: Tin, mounting: Direct mounting

Printed-circuit board connector - MSTBU 2,5/11-ST-5,08-FL - 1824447



Plug component, nominal current: 12 A, rated voltage (III/2): 320 V, number of positions: 11, pitch: 5.08 mm, connection method: Screw connection with tension sleeve, Color: green, contact surface: Tin, mounting: Direct mounting

Printed-circuit board connector - SMSTB 2,5/11-ST-5,08 - 1826377



Plug component, nominal current: 12 A, rated voltage (III/2): 320 V, number of positions: 11, pitch: 5.08 mm, connection method: Screw connection with tension sleeve, Color: green, contact surface: Tin

Printed-circuit board connector - MSTBVK 2,5/11-ST-5,08 - 1831401



Plug component, nominal current: 12 A, rated voltage (III/2): 320 V, number of positions: 11, pitch: 5.08 mm, connection method: Screw connection with tension sleeve, Color: green, contact surface: Tin, mounting: DIN rail

Printed-circuit board connector - UMSTBVK 2,5/11-ST-5,08 - 1833904



Plug component, nominal current: 12 A, rated voltage (III/2): 320 V, number of positions: 11, pitch: 5.08 mm, connection method: Screw connection with tension sleeve, Color: green, contact surface: Tin, mounting: DIN rail

Base strip - MSTBA 2,5/11-G-5,08 - 1757336

Accessories

Printed-circuit board connector - FKC 2,5/11-ST-5,08 - 1873142

Plug component, nominal current: 12 A, rated voltage (III/2): 320 V, number of positions: 11, pitch: 5.08 mm, connection method: Push-in spring connection, Color: green, contact surface: Tin



Printed-circuit board connector - FKCVW 2,5/11-ST-5,08 - 1873744

Plug component, nominal current: 12 A, rated voltage (III/2): 320 V, number of positions: 11, pitch: 5.08 mm, connection method: Push-in spring connection, Color: green, contact surface: Tin



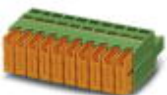
Printed-circuit board connector - FKCVR 2,5/11-ST-5,08 - 1874044

Plug component, nominal current: 12 A, rated voltage (III/2): 320 V, number of positions: 11, pitch: 5.08 mm, connection method: Push-in spring connection, Color: green, contact surface: Tin



Printed-circuit board connector - QC 1/11-ST-5,08 - 1883349

Plug component, nominal current: 10 A, rated voltage (III/2): 630 V, number of positions: 11, pitch: 5.08 mm, connection method: Displacement connection, Color: green, contact surface: Tin



Printed-circuit board connector - FKCT 2,5/11-ST-5,08 - 1902204

Plug component, nominal current: 12 A, rated voltage (III/2): 320 V, number of positions: 11, pitch: 5.08 mm, connection method: Push-in spring connection, Color: green, contact surface: Tin



Base strip - MSTBA 2,5/11-G-5,08 - 1757336

Accessories

Printed-circuit board connector - FKCS 2,5/11-ST-5,08 - 1975163

Plug component, nominal current: 12 A, rated voltage (III/2): 320 V, number of positions: 11, pitch: 5.08 mm, connection method: Push-in spring connection, Color: green, contact surface: Tin



Phoenix Contact 2017 © - all rights reserved
<http://www.phoenixcontact.com>