

Base strip - MSTBA 2,5/14-G-5,08 - 1757365

Please be informed that the data shown in this PDF Document is generated from our Online Catalog. Please find the complete data in the user's documentation. Our General Terms of Use for Downloads are valid (<http://phoenixcontact.com/download>)

Header, nominal current: 12 A, rated voltage (III/2): 320 V, number of positions: 14, pitch: 5.08 mm, Color: green, contact surface: Tin, mounting: Wave soldering



The figure shows a 10-position version of the product

Why buy this product

- ✓ Maximum flexibility when it comes to device design – one header for connectors with different connection technologies
- ✓ Well-known mounting principle allows worldwide use
- ✓ Plug-in direction parallel to the PCB
- ✓ Closed contour for optimum stability of the plug-in connection



Key Commercial Data

Packing unit	50 STK
GTIN	
GTIN	4017918029890
Weight per Piece (excluding packing)	5.560 g
Custom tariff number	85366930
Country of origin	Germany

Technical data

Dimensions

Length [l]	12 mm
Pitch	5.08 mm
Dimension a	66.04 mm
Width [w]	73.04 mm
Constructional height	8.6 mm
Height [h]	12.1 mm
Length of the solder pin	3.5 mm
Pin dimensions	1 x 1 mm

Base strip - MSTBA 2,5/14-G-5,08 - 1757365

Technical data

Dimensions

Hole diameter	1.4 mm
---------------	--------

General

Range of articles	MSTBA 2,5/...-G
Insulating material group	IIIa
Rated surge voltage (III/3)	4 kV
Rated surge voltage (III/2)	4 kV
Rated surge voltage (II/2)	4 kV
Rated voltage (III/3)	250 V
Rated voltage (III/2)	320 V
Rated voltage (II/2)	400 V
Connection in acc. with standard	EN-VDE
Nominal current I_N	12 A
Maximum load current	12 A
Insulating material	PBT
Flammability rating according to UL 94	V0
Color	green
Number of positions	14

Standards and Regulations

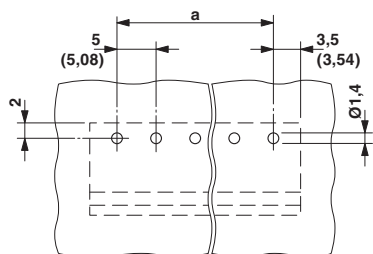
Connection in acc. with standard	EN-VDE
	CSA
Flammability rating according to UL 94	V0

Environmental Product Compliance

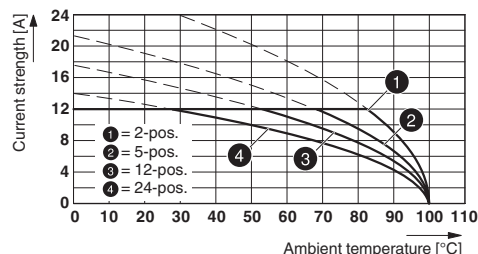
China RoHS	Environmentally friendly use period: unlimited = EFUP-e
	No hazardous substances above threshold values

Drawings

Drilling diagram

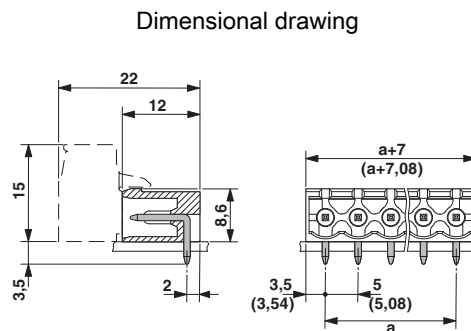
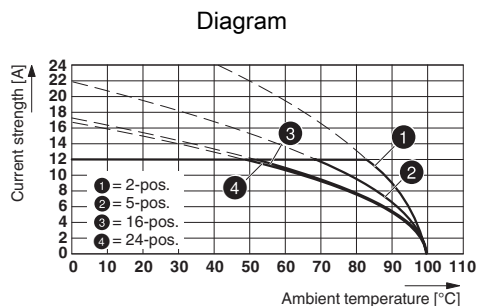


Diagram



Type: ICV 2,5/...-G-5,08 with MSTBA 2,5/...-G-5,08

Base strip - MSTBA 2,5/14-G-5,08 - 1757365



Type: IC 2,5/...-G-5,08 with MSTBA 2,5/...-G-5,08

Classifications

eCl@ss

eCl@ss 4.0	272607xx
eCl@ss 4.1	27260701
eCl@ss 5.0	27260701
eCl@ss 5.1	27260701
eCl@ss 6.0	27260704
eCl@ss 7.0	27440402
eCl@ss 8.0	27440402
eCl@ss 9.0	27440402

ETIM

ETIM 3.0	EC001121
ETIM 4.0	EC002637
ETIM 5.0	EC002637
ETIM 6.0	EC002637

UNSPSC

UNSPSC 6.01	30211810
UNSPSC 7.0901	39121409
UNSPSC 11	39121409
UNSPSC 12.01	39121409
UNSPSC 13.2	39121409

Approvals

Approvals

Approvals

CSA / VDE Gutachten mit Fertigungsüberwachung / IECCE CB Scheme / cULus Recognized / EAC

Ex Approvals

Base strip - MSTBA 2,5/14-G-5,08 - 1757365

Approvals

Approval details

CSA			13631
		B	D
Nominal current I _N		15 A	10 A
Nominal voltage U _N		300 V	300 V

VDE Gutachten mit Fertigungsüberwachung		http://www.vde.com/en/Institute/OnlineService/ VDE-approved-products/Pages/Online-Search.aspx	40004701
Nominal current I _N		12 A	
Nominal voltage U _N		250 V	

IECEE CB Scheme		http://www.iecee.org/	DE1-58978-B1B2
Nominal current I _N		12 A	
Nominal voltage U _N		250 V	

cULus Recognized		http://database.ul.com/cgi-bin/XYV/template/LISEXT/1FRAME/index.htm	E60425-19931011
		B	D
Nominal current I _N		15 A	10 A
Nominal voltage U _N		300 V	300 V

EAC			B.01742
-----	--	--	---------

Accessories

Accessories

Coding element

Base strip - MSTBA 2,5/14-G-5,08 - 1757365

Accessories

Coding star - CR-MSTB - 1734401

Coding section, inserted into the recess in the header or the inverted plug, red insulating material



Filler plug

Accessories - MSTB-BL - 1755477



Keying cap, for forming sections, plugs onto header pin, green insulating material

Labeled terminal marker

Marker card - SK 5,08/3,8:FORTL.ZAHLEN - 0804293



Marker card, Card, white, labeled, Horizontal: Consecutive numbers 1 - 10, 11 - 20, etc. up to 91 - (99)100, Mounting type: adhesive, for terminal block width: 5.08 mm, Lettering field: 5.08 x 3.8 mm

Additional products

Printed-circuit board connector - FKCN 2,5/14-ST-5,08 - 1754681

Plug component, nominal current: 12 A, rated voltage (III/2): 320 V, number of positions: 14, pitch: 5.08 mm, connection method: Push-in spring connection, Color: green, contact surface: Tin



Printed-circuit board connector - MSTB 2,5/14-ST-5,08 - 1757132

Plug component, nominal current: 12 A, rated voltage (III/2): 320 V, number of positions: 14, pitch: 5.08 mm, connection method: Screw connection with tension sleeve, Color: green, contact surface: Tin



Base strip - MSTBA 2,5/14-G-5,08 - 1757365

Accessories

Printed-circuit board connector - MSTB 2,5/14-STZ-5,08 - 1764264



Plug component, nominal current: 12 A, rated voltage (III/2): 320 V, number of positions: 14, pitch: 5.08 mm, connection method: Screw connection with tension sleeve, Color: green, contact surface: Tin

Printed-circuit board connector - MSTBP 2,5/14-ST-5,08 - 1769133



Plug component, nominal current: 12 A, rated voltage (III/2): 320 V, number of positions: 14, pitch: 5.08 mm, connection method: Screw connection with tension sleeve, Color: green, contact surface: Tin

Printed-circuit board connector - FRONT-MSTB 2,5/14-ST-5,08 - 1777400



Plug component, nominal current: 12 A, rated voltage (III/2): 320 V, number of positions: 14, pitch: 5.08 mm, connection method: Front screw connection, Color: green, contact surface: Tin

Printed-circuit board connector - MSTBT 2,5/14-ST-5,08 - 1781108



Plug component, nominal current: 12 A, rated voltage (III/2): 320 V, number of positions: 14, pitch: 5.08 mm, connection method: Screw connection with tension sleeve, Color: green, contact surface: Tin

Printed-circuit board connector - MVSTBR 2,5/14-ST-5,08 - 1792362



Plug component, nominal current: 12 A, rated voltage (III/2): 320 V, number of positions: 14, pitch: 5.08 mm, connection method: Screw connection with tension sleeve, Color: green, contact surface: Tin

Base strip - MSTBA 2,5/14-G-5,08 - 1757365

Accessories

Printed-circuit board connector - MVSTBW 2,5/14-ST-5,08 - 1792870



Plug component, nominal current: 12 A, rated voltage (III/2): 320 V, number of positions: 14, pitch: 5.08 mm, connection method: Screw connection with tension sleeve, Color: green, contact surface: Tin

Printed-circuit board connector - MSTBC 2,5/14-ST-5,08 - 1808939



Plug component, nominal current: 12 A, rated voltage (III/2): 320 V, number of positions: 14, pitch: 5.08 mm, connection method: Crimp connection, Color: green, Corresponding female crimp contacts with current [A] and conductor cross section range [mm²] data: 10A/MSTBC-MT 0,5-1,0 (3190564); 10A/MSTBC-MT 0,5-1,0 BA (3190645); 12A/MSTBC-MT 1,5-2,5 (3190551); 12A/MSTBC-MT 1,5-2,5 BA (3190658). BA = Bandkontakte

Printed-circuit board connector - MSTBC 2,5/14-STZ-5,08 - 1809624



Plug component, nominal current: 12 A, rated voltage (III/2): 320 V, number of positions: 14, pitch: 5.08 mm, connection method: Crimp connection, Color: green, Corresponding female crimp contacts with current [A] and conductor cross section range [mm²] data: 10A/MSTBC-MT 0,5-1,0 (3190564); 10A/MSTBC-MT 0,5-1,0 BA (3190645); 12A/MSTBC-MT 1,5-2,5 (3190551); 12A/MSTBC-MT 1,5-2,5 BA (3190658). BA = Bandkontakte

Printed-circuit board connector - MSTBU 2,5/14-STD-5,08 - 1824243



Plug component, nominal current: 12 A, rated voltage (III/2): 320 V, number of positions: 14, pitch: 5.08 mm, connection method: Screw connection with tension sleeve, Color: green, contact surface: Tin, mounting: Direct mounting

Printed-circuit board connector - MSTBU 2,5/14-ST-5,08-FL - 1824476



Plug component, nominal current: 12 A, rated voltage (III/2): 320 V, number of positions: 14, pitch: 5.08 mm, connection method: Screw connection with tension sleeve, Color: green, contact surface: Tin, mounting: Direct mounting

Base strip - MSTBA 2,5/14-G-5,08 - 1757365

Accessories

Printed-circuit board connector - SMSTB 2,5/14-ST-5,08 - 1826403



Plug component, nominal current: 12 A, rated voltage (III/2): 320 V, number of positions: 14, pitch: 5.08 mm, connection method: Screw connection with tension sleeve, Color: green, contact surface: Tin

Printed-circuit board connector - MSTBVK 2,5/14-ST-5,08 - 1831430



Plug component, nominal current: 12 A, rated voltage (III/2): 320 V, number of positions: 14, pitch: 5.08 mm, connection method: Screw connection with tension sleeve, Color: green, contact surface: Tin, mounting: DIN rail

Printed-circuit board connector - UMSTBVK 2,5/14-ST-5,08 - 1833933



Plug component, nominal current: 12 A, rated voltage (III/2): 320 V, number of positions: 14, pitch: 5.08 mm, connection method: Screw connection with tension sleeve, Color: green, contact surface: Tin, mounting: DIN rail

Printed-circuit board connector - FKCVW 2,5/14-ST-5,08 - 1873773



Plug component, nominal current: 12 A, rated voltage (III/2): 320 V, number of positions: 14, pitch: 5.08 mm, connection method: Push-in spring connection, Color: green, contact surface: Tin

Printed-circuit board connector - FKCVW 2,5/14-ST-5,08 - 1873773

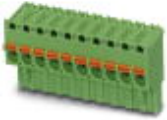


Plug component, nominal current: 12 A, rated voltage (III/2): 320 V, number of positions: 14, pitch: 5.08 mm, connection method: Push-in spring connection, Color: green, contact surface: Tin

Base strip - MSTBA 2,5/14-G-5,08 - 1757365

Accessories

Printed-circuit board connector - FKCVR 2,5/14-ST-5,08 - 1874073



Plug component, nominal current: 12 A, rated voltage (III/2): 320 V, number of positions: 14, pitch: 5.08 mm, connection method: Push-in spring connection, Color: green, contact surface: Tin

Printed-circuit board connector - QC 1/14-ST-5,08 - 1883828



Plug component, nominal current: 10 A, rated voltage (III/2): 630 V, number of positions: 14, pitch: 5.08 mm, connection method: Displacement connection, Color: green, contact surface: Tin

Printed-circuit board connector - FKCT 2,5/14-ST-5,08 - 1902233



Plug component, nominal current: 12 A, rated voltage (III/2): 320 V, number of positions: 14, pitch: 5.08 mm, connection method: Push-in spring connection, Color: green, contact surface: Tin

Printed-circuit board connector - FKCS 2,5/14-ST-5,08 - 1975192



Plug component, nominal current: 12 A, rated voltage (III/2): 320 V, number of positions: 14, pitch: 5.08 mm, connection method: Push-in spring connection, Color: green, contact surface: Tin