

## Accessories - MSTBC-MT 1,5-2,5 - 3190551


Please be informed that the data shown in this PDF Document is generated from our Online Catalog. Please find the complete data in the user's documentation. Our General Terms of Use for Downloads are valid (<http://phoenixcontact.com/download>)



Module female contact, is inserted into the plug housing MSTBC after crimping the conductor, for conductors from 1.5 to 2.5 mm<sup>2</sup>



### Key Commercial Data

Packing unit	100 STK
Minimum order quantity	100 STK
GTIN	 4 017918 093389
GTIN	4017918093389
Weight per Piece (excluding packing)	0.460 g
Custom tariff number	85366990
Country of origin	Germany

### Technical data

#### General

Nominal current	12 A
Conductor cross section flexible min.	1.5 mm <sup>2</sup>
Max. conductor cross section, flexible	2.5 mm <sup>2</sup>

#### Connection data

Core diameter including insulation	2.11 mm ... 3.1 mm
Stripping length of individual wires	4 mm

#### Material data

Contact material	CuFe
Contact surface material	Tin-plated

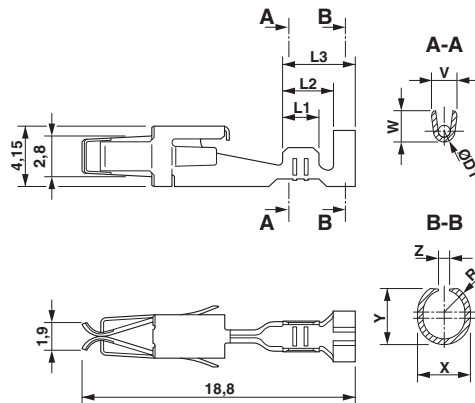
#### Environmental Product Compliance

China RoHS	Environmentally friendly use period: unlimited = EFUP-e
	No hazardous substances above threshold values

# Accessories - MSTBC-MT 1,5-2,5 - 3190551

## Drawings

Dimensional drawing



## Classifications

### eCl@ss

eCl@ss 4.0	272607xx
eCl@ss 4.1	27260701
eCl@ss 5.0	27260701
eCl@ss 5.1	27260701
eCl@ss 6.0	27260704
eCl@ss 7.0	27449202
eCl@ss 8.0	27440204
eCl@ss 9.0	27440204

### ETIM

ETIM 3.0	EC001121
ETIM 4.0	EC001121
ETIM 5.0	EC000796
ETIM 6.0	EC000796

### UNSPSC

UNSPSC 6.01	30211810
UNSPSC 7.0901	39121410
UNSPSC 11	39121409
UNSPSC 12.01	39121409
UNSPSC 13.2	39121522

## Accessories

Accessories

Crimping tool

## Accessories - MSTBC-MT 1,5-2,5 - 3190551

### Accessories

Crimping pliers - CRIMPFOX MT 2,5 - 1204038



Crimping pliers, for crimping conductors to the module female contacts STG-MTN, crimp range: 0.5-2.5 mm<sup>2</sup>, AWG: 20-14

---

Phoenix Contact 2017 © - all rights reserved  
<http://www.phoenixcontact.com>