

The supplier acknowledges that, with the acceptance of the drawings, he is in a position to manufacture the illustrated part in accordance with the drawings in reproducible form and series production. Through the selected manufacturing processes and materials, all errors in the material and structure which could subsequently lead to an impairment of the components. Verbal agreements over and above that are not valid. Deviations from this rule must be written and must be signed by the purchaser.

Technische Daten/  
technical data : Akkupack/  
battery pack

Chemie/  
chemistry : Lithium Ion

Zellenzahl/  
no. of cells : 2 Zellen/ cells ICR18650 LGC B4 ; 2S1P

Kapazität/  
capacity : nom. 2600mAh discharge at 0.2C  
min. 2500mAh discharge at 0.2C  
ta:20°C; EV(Discharge End Voltage): 2.75V per cell

Innenwiderstand/  
impedance : < 140mOhm (battery and safetyboard)

Nominalspannung/  
nominal voltage : 7.4V

Standard Ladespannung/  
standard charge voltage : 8.4V±1%

Standard Entladespannung/  
standard discharge voltage : 5.5V

Nominaler Ladestrom/  
nominal charge current : 0.5C

Maximaler Ladestrom/  
maximum charge current : 1C

Ladeendstrom/  
charge end current : 0.01C recommended

Maximaler Entladestrom/  
maximum discharge current : 5000mA (limited by safetyboard)

Anwendungstemperaturbereich/  
ambient temperature range : 0°C...+45°C charge  
-20°C...+60°C discharge  
-20°C...+30°C storage max. 1 year  
-20°C...+45°C storage max. 3months

Selbstentladung/  
self discharge : ≤ 5% / month at 20°C  
≤ 10% / month at 30°C  
≤ 20% / month at 40°C

Standards/  
 : UN 3480, Subsection 38.3  
All cells and battery packs type tested according to UN manual of test and criteria subsection 38.3

Technische Daten/  
technical data : Sicherheitsschaltung/  
safety board

Überladeschutzspannung/  
over charge voltage detection : 4.3V±25mV per cell

Wiedereinschaltspannung/  
over charge release voltage : 4.1V±50mV per cell

Entladeabschaltspannung/  
over discharge detection voltage : 2.4V±50mV per cell

Wiedereinschaltspannung/  
over discharge release voltage : 3V±100mV per cell

Nominaler Lade/Entladestrom/  
nominal operating current : 5A

Entlade Abschaltstrom/  
discharge cut off current : 13A± 3A

Kurzschlusschutz/  
short circuit protection : gegen äußeren Kurzschluss/  
against external short circuit

Temperaturumschalter/  
temperature switch : ---

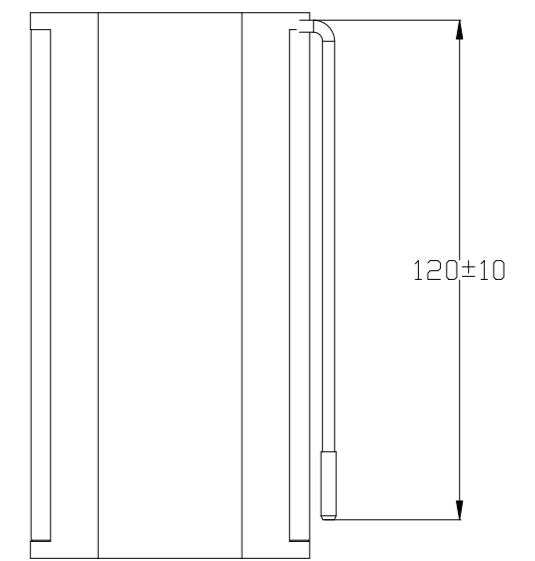
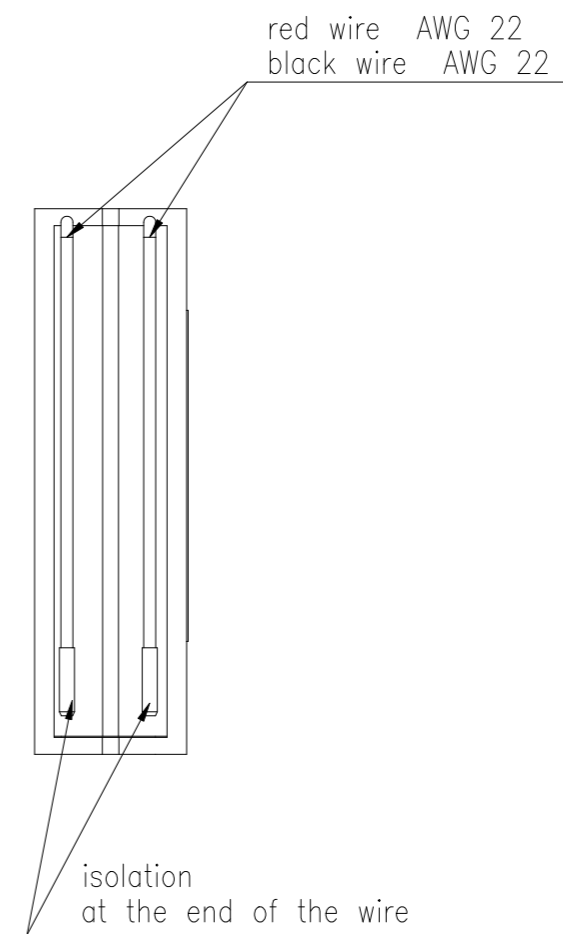
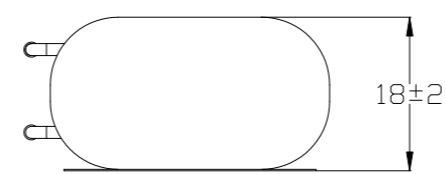
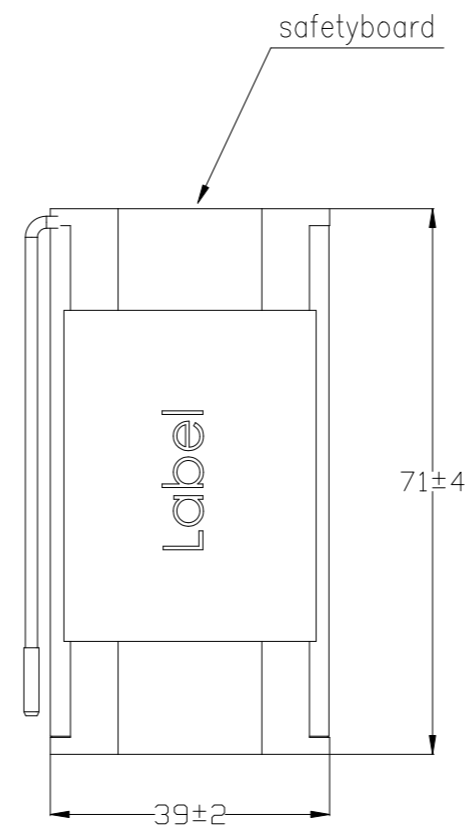
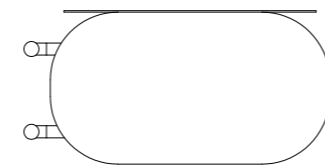
MOSFET : in Masse  
in Gnd

Rückstellkriterium/  
release condition : Last trennen, Aktiv nach Anladen/  
cut load, release after charging up

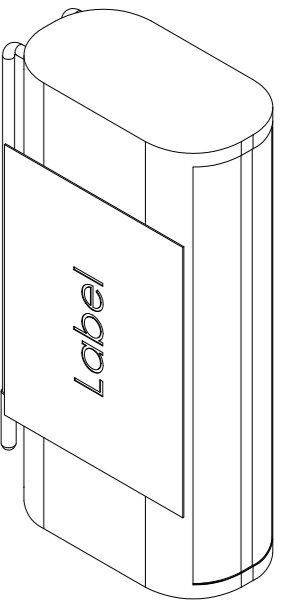
Nettogewicht/  
net weight : ca./ approx. 100g

Leiterplattenmaterial/  
pcb material : FR4

Standards : CE



battery pack covered with 1 layer of blue shrinktube



|   |                            |  |                        |                                     |   |
|---|----------------------------|--|------------------------|-------------------------------------|---|
| Verwendungsbereich/ Application range<br>für Anfrage/for inquiry AN-IS-2013-00422 |                            | Zul. Abweichung/<br>Allowable deviation                      | Oberfläche/<br>Surface | Maßstab/Scale (DIN A2): 1:1         | Gewicht/Weight                                  |
|   |                            | Allgemeintoleranz<br>DIN ISO 2768-m                          |                        | Werkstoff/Work material, Modell-Nr. |   |
|   |                            | 2013   | Datum/Date             | Name                                | Zeichnungsname/Drawing name                     |
|   |                            | Erstellt/<br>Drawn by  | 23.10.                 | JE                                  | Li-Ion Battery 7.4V 2600mAh<br>with safetyboard |
|   |                            | Zeichnungsnummer/Drawing number<br>Artikelnummer/Part number |                        |                                     | Blatt/<br>Sheet                                 |
|   |                            | 2447-3030-01   |                        |                                     | 1   |
| V1  | change request: DE-15-0022 | 15.01.16   | MSI                    | <b>ANSMANN</b>                      |   |
| VO  | technical data corrected   | 24.06.15   | JH                     |                                     |   |
| Version   | Änderung/Change            | Datum/Date   | Name                   | Ursprung/Origin Proj. IS-2013-00422 | Ersatz für/Replaced by                          |
|   |                            |  |                        | Ersatz durch/Replacement through:   |   |