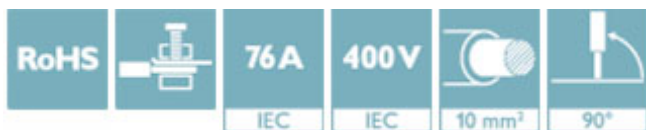


Panel feed-through terminal block - HDFKV 10 - 0709013

Please be informed that the data shown in this PDF Document is generated from our Online Catalog. Please find the complete data in the user's documentation. Our General Terms of Use for Downloads are valid (<http://phoenixcontact.com/download>)



Panel feed-through terminal block, connection method: Screw connection, number of positions: 1, load current: 76 A, cross section: 0.5 mm² - 16 mm², AWG 20 - 6, connection direction of the conductor to plug-in direction: 90 °, width: 10.1 mm, color: gray



Key Commercial Data

| | |
|--------------------------------------|---------------|
| Packing unit | 50 STK |
| GTIN | |
| GTIN | 4017918004873 |
| Weight per Piece (excluding packing) | 20.830 g |
| Custom tariff number | 85369010 |
| Country of origin | Greece |

Technical data

General

| | |
|--|--------------------|
| Number of levels | 1 |
| Number of connections | 2 |
| Nominal cross section | 10 mm ² |
| Color | gray |
| Insulating material | PA |
| Flammability rating according to UL 94 | V0 |
| Maximum load current | 76 A |
| Rated surge voltage | 6 kV |
| Degree of pollution | 3 |
| Overvoltage category | III |
| Insulating material group | I |
| Connection in acc. with standard | IEC 60947-7-1 |
| Nominal current I _N | 57 A |
| Maximum load current | 76 A |

Panel feed-through terminal block - HDFKV 10 - 0709013

Technical data

General

| | |
|-----------------------|--|
| Nominal voltage U_N | 400 V (With metal panels of 1 mm ... 2.5 mm) |
| | 250 V (With metal panels over 2.5 mm ... 5 mm) |
| | 400 V (With plastic panels of 1 mm ... 4 mm) |
| Open side panel | No |
| Number of positions | 1 |

Dimensions

| | |
|-------|---------|
| Width | 10.1 mm |
|-------|---------|

Connection data

| | |
|---|---------------------|
| Connection side | Level 1 ext. 1 |
| Connection method | Screw connection |
| Conductor cross section solid min. | 0.5 mm ² |
| Conductor cross section solid max. | 16 mm ² |
| Conductor cross section flexible min. | 0.5 mm ² |
| Conductor cross section flexible max. | 10 mm ² |
| Conductor cross section AWG min. | 20 |
| Conductor cross section AWG max. | 6 |
| Conductor cross section flexible, with ferrule without plastic sleeve min. | 0.5 mm ² |
| Conductor cross section flexible, with ferrule without plastic sleeve max. | 10 mm ² |
| Conductor cross section flexible, with ferrule with plastic sleeve min. | 0.5 mm ² |
| Conductor cross section flexible, with ferrule with plastic sleeve max. | 10 mm ² |
| 2 conductors with same cross section, solid min. | 0.5 mm ² |
| 2 conductors with same cross section, solid max. | 4 mm ² |
| 2 conductors with same cross section, stranded min. | 0.5 mm ² |
| 2 conductors with same cross section, stranded max. | 4 mm ² |
| 2 conductors with same cross section, stranded, ferrules without plastic sleeve, min. | 0.5 mm ² |
| 2 conductors with same cross section, stranded, ferrules without plastic sleeve, max. | 2.5 mm ² |
| 2 conductors with same cross section, stranded, TWIN ferrules with plastic sleeve, min. | 0.5 mm ² |
| 2 conductors with same cross section, stranded, TWIN ferrules with plastic sleeve, max. | 6 mm ² |
| Cross section with insertion bridge, solid max. | 10 mm ² |
| Cross section with insertion bridge, stranded max. | 10 mm ² |
| Stripping length | 11 mm |
| Internal cylindrical gage | B6 |
| Screw thread | M4 |
| Tightening torque, min | 1.5 Nm |
| Tightening torque max | 1.8 Nm |

Standards and Regulations

| | |
|----------------------------------|-----|
| Connection in acc. with standard | CSA |
|----------------------------------|-----|

Panel feed-through terminal block - HDFKV 10 - 0709013

Technical data

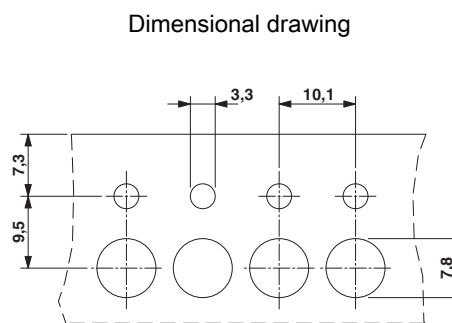
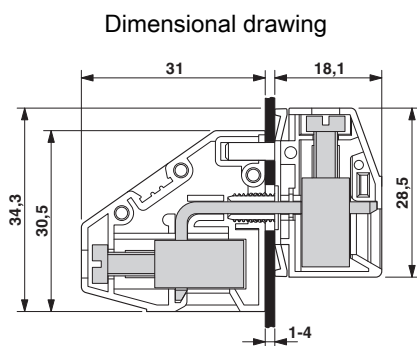
Standards and Regulations

| | |
|--|---------------|
| | IEC 60947-7-1 |
| Flammability rating according to UL 94 | V0 |

Environmental Product Compliance

| | |
|------------|---|
| China RoHS | Environmentally Friendly Use Period = 50 |
| | For details about hazardous substances go to tab "Downloads", Category "Manufacturer's declaration" |

Drawings



Classifications

eCl@ss

| | |
|------------|----------|
| eCl@ss 4.0 | 27141131 |
| eCl@ss 4.1 | 27141131 |
| eCl@ss 5.0 | 27141134 |
| eCl@ss 5.1 | 27141134 |
| eCl@ss 6.0 | 27141134 |
| eCl@ss 7.0 | 27141134 |
| eCl@ss 8.0 | 27141134 |
| eCl@ss 9.0 | 27141134 |

ETIM

| | |
|----------|----------|
| ETIM 2.0 | EC001283 |
| ETIM 3.0 | EC001283 |
| ETIM 4.0 | EC001283 |
| ETIM 5.0 | EC001283 |
| ETIM 6.0 | EC001283 |

UNSPSC

| | |
|---------------|----------|
| UNSPSC 6.01 | 30211811 |
| UNSPSC 7.0901 | 39121410 |
| UNSPSC 11 | 39121410 |

Panel feed-through terminal block - HDFKV 10 - 0709013

Classifications

UNSPSC

| | |
|--------------|----------|
| UNSPSC 12.01 | 39121410 |
| UNSPSC 13.2 | 39121410 |

Approvals


Approvals


Approvals


CSA / KEMA-KEUR / IECCE CB Scheme / cULus Recognized / EAC

Ex Approvals

Approval details

| | | |
|----------------------------|---|-------|
| CSA |  | 13631 |
| mm ² /AWG/kcmil | | 22-6 |
| Nominal current IN | | 65 A |
| Nominal voltage UN | | 300 V |

| | | | |
|----------------------------|---|---|------------|
| KEMA-KEUR |  | http://www.dekra-certification.com | 2169260.01 |
| mm ² /AWG/kcmil | | 10 | |
| Nominal current IN | | 57 A | |
| Nominal voltage UN | | 250 V | |

| | | | |
|----------------------------|---|---|----------|
| IECEE CB Scheme |  | http://www.iecee.org/ | NL-29947 |
| mm ² /AWG/kcmil | | 10 | |
| Nominal current IN | | 57 A | |
| Nominal voltage UN | | 250 V | |

Panel feed-through terminal block - HDFKV 10 - 0709013

Approvals

| | | | |
|------------------|--|---|-----------------|
| cULus Recognized | | http://database.ul.com/cgi-bin/XYV/template/LISEXT/1FRAME/index.htm | E60425-19870911 |
|------------------|--|---|-----------------|

| | B | C | D |
|--------------------------------|-------|-------|-------|
| mm ² /AWG/kcmil | 24-6 | 24-6 | 24-6 |
| Nominal current I _N | 65 A | 65 A | 10 A |
| Nominal voltage U _N | 300 V | 150 V | 300 V |

| | | |
|-----|--|---------|
| EAC | | B.01742 |
|-----|--|---------|

Accessories

Accessories

Insertion bridge

Insertion bridge - EB 2-10 - 0203153

Insertion bridge, pitch: 10 mm, number of positions: 2, color: gray



Insertion bridge - EB 3-10 - 0203328

Insertion bridge, pitch: 10 mm, number of positions: 3, color: gray



Insertion bridge - EB 10-10 - 0203137

Insertion bridge, pitch: 10 mm, number of positions: 10, color: gray



Screwdriver tools

Panel feed-through terminal block - HDFKV 10 - 0709013

Accessories

Screwdriver - SZS 1,0X4,0 VDE - 1205066



Screwdriver, slot-headed, VDE insulated, size: 1.0 x 4.0 x 100 mm, 2-component grip, with non-slip grip

Terminal marking

Zack marker strip - ZB 8:UNBEDRUCKT - 1052002



Zack marker strip, Strip, white, unlabeled, can be labeled with: CMS-P1-PLOTTER, PLOTMARK, Mounting type: snap into tall marker groove, for terminal block width: 8.2 mm, Lettering field: 10.5 x 8.15 mm