

MCZ SERIES

MCZ R 24VDC 5uAu

Weidmüller Interface GmbH & Co. KG

Klingenbergstraße 16

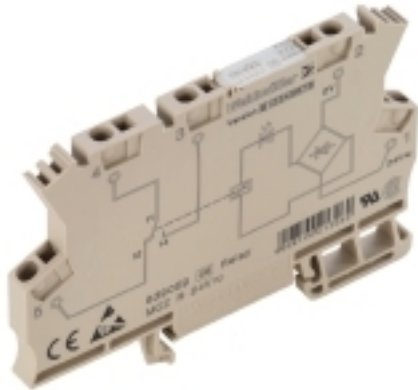
D-32758 Detmold

Germany

Fon: +49 5231 1429-0

Fax: +49 5231 14292083

www.weidmueller.com



The MCZ R relay couplers, with a width of only 6 mm, are the thinnest in their class.

They are distinguished by the following features:

- Tension clamp connection
- Integrated cross-connection in input/output.
Clampable conductor cross-section is 0.5 to 1.5 mm²

General ordering data

Type	MCZ R 24VDC 5uAu
Order No.	8442960000
Version	MCZ SERIES, Relay module, No. of contacts: 1 CO contact AgSnO 5µm Au, Rated control voltage: 24 V DC ±20 %, Continuous current: 6 A, Tension clamp connection
GTIN (EAN)	4032248003891
Qty.	10 pc(s).

MCZ SERIES
MCZ R 24VDC 5uAu

Weidmüller Interface GmbH & Co. KG
 Klingenbergstraße 16
 D-32758 Detmold
 Germany
 Fon: +49 5231 1429-0
 Fax: +49 5231 14292083
 www.weidmueller.com

Technical data
Dimensions and weights

Width	6.1 mm	Width (inches)	0.24 inch
Height	91 mm	Height (inches)	3.583 inch
Depth	63.2 mm	Depth (inches)	2.488 inch
Net weight	26 g		

Temperatures

Humidity	5 - 93% rel. humidity, Tu = 40°C, no condensation	Operating temperature	-25 °C...50 °C
Storage temperature	-40 °C...60 °C		

Input

Rated control voltage	24 V DC ± 20 %	Rated current DC	6.3 mA
Power rating	156 mW	Pull-in/drop-out voltage, typ.	19 V / 4 V DC
Status indicator	Green LED	Protective circuit	Free-wheel diode, Reverse polarity protection

Output

Rated switching voltage	250 V AC	Max. switching voltage, AC	250 V
Max. switching voltage, DC	250 V	Continuous current	6 A
Inrush current	6 A	AC switching capacity (resistive), max.	1500 VA
DC switching capacity (resistive), max.	120 W @ 24 V	Switch-on delay	< 5 ms
Switch-off delay	< 15 ms	Min. switching power	1 mA @ 1 V
Max. switching frequency at rated load	0.1 Hz		

Contact data

Contact type	1 CO contact (AgSnO 5µm Au)	Mechanical service life	10 x 10 ⁶ switching cycles
--------------	-----------------------------	-------------------------	---------------------------------------

General data

Version	One end without connector	Mounting rail	TS 35
Test button	No	Mechanical switch position indicator	No
Open sides	right		

Insulation coordination

Rated voltage	300 V	Creepage and clearance distance input – output	≥ 5.5 mm
Dielectric strength input – output	4 kV _{eff} / 1 s	Dielectric strength to mounting rail	4 kV _{eff} / 1 min.
Impulse withstand voltage	4 kV (1.2/50 µs)	Protection degree	IP20
Pollution severity	2	Surge voltage category	III

Further details of approvals / standards

Standards	DIN EN 50178, UL508	Certificate No. (CSA)	154685-1198742
Certificate No. (GERMLLOYD)	14847-99	Certificate No. (cURus)	E14 1197

MCZ SERIES
MCZ R 24VDC 5uAu

Weidmüller Interface GmbH & Co. KG
 Klingenbergstraße 16
 D-32758 Detmold
 Germany
 Fon: +49 5231 1429-0
 Fax: +49 5231 14292083
 www.weidmueller.com

Technical data**Connection data**

Wire connection method	Tension clamp connection	Stripping length, rated connection	8 mm
Clamping range, rated connection	1.5 mm ²	Clamping range, rated connection, min.	0.5 mm ²
Clamping range, rated connection, max.	1.5 mm ²	Wire connection cross section AWG, min.	AWG 26
Wire connection cross section AWG, max.	AWG 16	Wire cross-section, solid, min.	0.5 mm ²
Wire cross-section, solid, max.	1.5 mm ²	Wire connection cross-section, finely stranded, min.	0.5 mm ²
Wire connection cross section, finely stranded, max.	1.5 mm ²	Wire cross-section, finely stranded, min. (AWG)	AWG 26
Wire cross-section, finely stranded, max. (AWG)	AWG 16	Cross-section for connected conductor, finely stranded with wire-end ferrules and plastic collars DIN 46228/4, rated connection, min.	0.5 mm ²
Wire connection cross-section, finely stranded with wire-end ferrules and plastic collars DIN 46228/4, rated connection, max.	1.5 mm ²	Conductor cross-section, flexible, AEH (DIN 46228-1), min.	0.5 mm ²
Conductor cross-section, flexible, AEH (DIN 46228-1), max.	1.5 mm ²	Blade size	0.6 x 3.5 mm

Classifications

ETIM 3.0	EC001437	ETIM 4.0	EC001437
ETIM 5.0	EC001437	ETIM 6.0	EC001437
UNSPSC	30-21-19-17	eClass 5.1	27-37-16-01
eClass 6.2	27-37-16-01	eClass 7.1	27-37-16-01
eClass 8.1	27-37-16-01	eClass 9.0	27-37-16-01
eClass 9.1	27-37-16-01		

Product information

Product information	The cable lengths must not exceed 30 m.
Descriptive text ordering data	Can safely switch a load of: 1...60 V AC/DC, 1...300 mA. If higher loads are switched this can damage the gold plating.
Descriptive text technical data	End plate AP MCZ 1.5: 8389030000 Accessories and dimensional drawings: refer to the MCZ Accessories page.

Approvals

Approvals



ROHS

Conform

Downloads

Approval/Certificate/Document of Conformity	DE_PA_5600_160311_004.pdf
Brochure/Catalogue	CAT 4.2 ELECTR 15/16 EN
Engineering Data	EPLAN, WSCAD, Zuken E3.S
User Documentation	Operating Instructions

Creation date August 31, 2017 8:29:14 PM CEST

Catalogue status 25.08.2017 / We reserve the right to make technical changes.

3

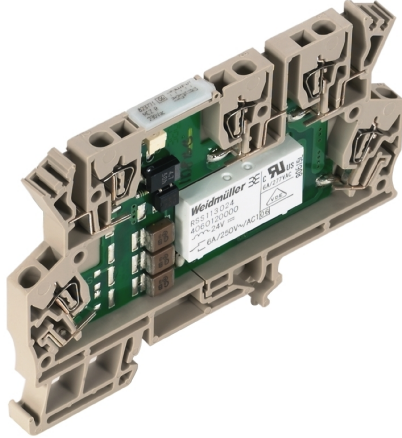
Data sheet

**MCZ SERIES
MCZ R 24VDC 5uAu**

Weidmüller Interface GmbH & Co. KG
 Klingenbergstraße 16
 D-32758 Detmold
 Germany
 Fon: +49 5231 1429-0
 Fax: +49 5231 14292083
 www.weidmueller.com

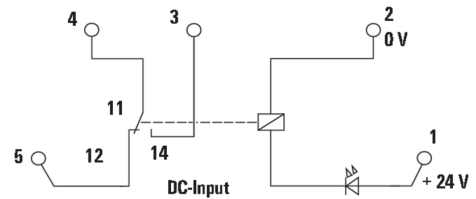
Drawings

Product picture

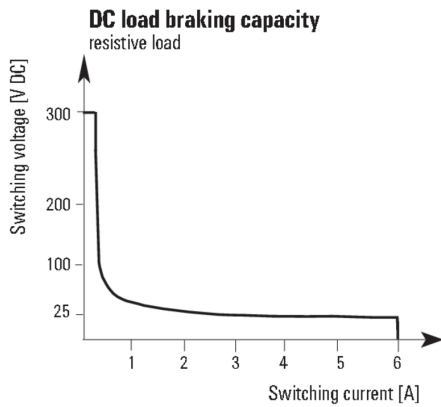


Similar to illustration

Circuit diagram

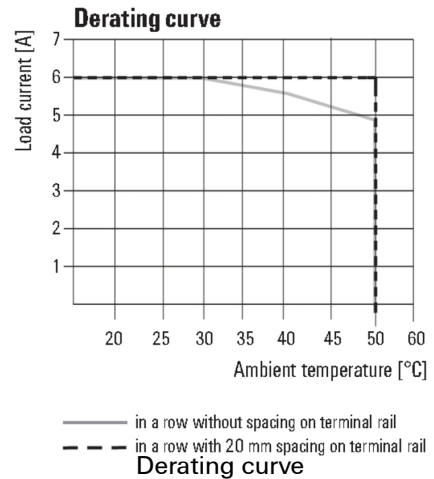


Graph

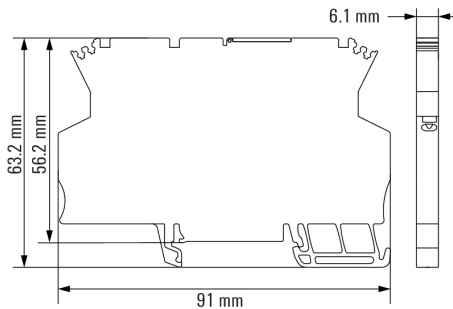


DC load limit curve

Graph



Dimensional drawing



**MCZ SERIES
MCZ R 24VDC 5uAu**

Weidmüller Interface GmbH & Co. KG
 Klingenbergstraße 16
 D-32758 Detmold
 Germany
 Fon: +49 5231 1429-0
 Fax: +49 5231 14292083
 www.weidmueller.com

Accessories
ZQV 2.5N

Spring connection with tension clamp Technology

Tension clamp technology is a universal contact system for all common conductor connection types. Its fantastic level of flexibility makes the tension clamp a profitable alternative connection.

General ordering data

Type	Order No.	Version	GTIN (EAN)	Qty.
ZQV 2.5N/20 SW	1909130000	Z-series, Cross-connector, For the terminals, No. of poles: 20	4032248535910	20 pc(s).

Blank


WS markers are the perfect match for the W-series connectors. Thanks to their system compatibility, the WS tags can also be used with the I-series and the Z-series. The large marking surfaces do not only permit long character strings but also multi-line text. WS markers are ideal for labels with long, customised character strings. Thanks to the proven MultiCard format, printing with laser printer, PrintJet ADVANCED, plotter or MC-Mobilo is possible.

- Can be fitted in strips or individually
- Markers in proven MultiCard format

General ordering data

Type	Order No.	Version	GTIN (EAN)	Qty.
WS 10/6 MC NE WS	1828450000	WS, Terminal marker, 10 x 6 mm, Pitch in mm (P): 6.00 Weidmueller, Allen-Bradley, White	4032248350513	600 pc(s).

**MCZ SERIES
MCZ R 24VDC 5uAu**

Weidmüller Interface GmbH & Co. KG
Klingenbergstraße 16
D-32758 Detmold
Germany
Fon: +49 5231 1429-0
Fax: +49 5231 14292083
www.weidmueller.com

Accessories

Tools



Tools for removing the sheathing of uncut power cables and outgoing feeders, plus screwdrivers for installing FieldPower components.

General ordering data

Type	Order No.	Version	GTIN (EAN)	Qty.
SDS 0.6X3.5X100	9008330000	Screwdriver, Blade width (B): 3.5 mm, Blade length: 100 mm, Blade thickness (A): 0.6 mm	4032248056286	1 pc(s).

Accessories for MCZ



End plates: for electronic components with terminal-block design.

General ordering data

Type	Order No.	Version	GTIN (EAN)	Qty.
AP MCZ1.5	8389030000	End plate, MCZ SERIES grey-beige, End plate, Width: 1.5 mm	4008190386849	50 pc(s).

MCZ SERIES
MCZ R 24VDC 5uAu

Weidmüller Interface GmbH & Co. KG
 Klingenbergstraße 16
 D-32758 Detmold
 Germany
 Fon: +49 5231 1429-0
 Fax: +49 5231 14292083
 www.weidmueller.com

Accessories**ZQV 4N****Spring connection with tension clamp Technology**

Tension clamp technology is a universal contact system for all common conductor connection types. Its fantastic level of flexibility makes the tension clamp a profitable alternative connection.

General ordering data

Type	Order No.	Version	GTIN (EAN)	Qty.
ZQV 4N/3 SW	1794000000	Accessories, Cross-connector, 32 A	4032248233793	60 pc(s).
ZQV 4N/2 GE	1758250000	Accessories, Cross-connector, 32 A	4032248169795	60 pc(s).
ZQV 4N/10 GE	1758260000	Accessories, Cross-connector, 32 A	4032248169764	20 pc(s).
ZQV 4N/10 RT	1794040000	Accessories, Cross-connector, 32 A	4032248234004	20 pc(s).
ZQV 4N/2 RT	1793950000	Accessories, Cross-connector, 32 A	4032248233748	60 pc(s).
ZQV 4N/4 RT	1794010000	Accessories, Cross-connector, 32 A	4032248233809	60 pc(s).
ZQV 4N/4 BL	1794020000	Accessories, Cross-connector, 32 A	4032248233816	60 pc(s).
ZQV 4N/4 GE	1762620000	Accessories, Cross-connector, 32 A	4032248169771	60 pc(s).
ZQV 4N/3 RT	1793980000	Accessories, Cross-connector, 32 A	4032248233779	60 pc(s).
ZQV 4N/20 RT	1909150000	Accessories, Cross-connector, 32 A	4032248535934	20 pc(s).
ZQV 4N/2 BL	1793960000	Accessories, Cross-connector, 32 A	4032248233755	60 pc(s).
ZQV 4N/20 GE	1909020000	Accessories, Cross-connector, 32 A	4032248535644	20 pc(s).
ZQV 4N/2 SW	1793970000	Accessories, Cross-connector, 32 A	4032248233762	60 pc(s).
ZQV 4N/3 BL	1793990000	Accessories, Cross-connector, 32 A	4032248233786	60 pc(s).
ZQV 4N/10 BL	1794050000	Accessories, Cross-connector, 32 A	4032248234011	20 pc(s).
ZQV 4N/4 SW	1794030000	Accessories, Cross-connector, 32 A	4032248233915	60 pc(s).
ZQV 4N/3 GE	1762630000	Accessories, Cross-connector, 32 A	4032248169788	60 pc(s).
ZQV 4N/20 BL	1909100000	Accessories, Cross-connector, 32 A	4032248535774	20 pc(s).
ZQV 4N/10 SW	1794060000	Accessories, Cross-connector, 32 A	4032248234059	20 pc(s).

**MCZ SERIES
MCZ R 24VDC 5uAu**

Weidmüller Interface GmbH & Co. KG
Klingenbergstraße 16
D-32758 Detmold
Germany
Fon: +49 5231 1429-0
Fax: +49 5231 14292083
www.weidmueller.com

Accessories

Slotted screwdriver



VDE insulated screwdriver sets, for working on live parts up to 1000 V AC and 1500 V DC, DIN EN 60900. IEC 900. Each piece is "GS" safety tested. Blade made from fully hardened, high-alloy chromium-vanadium-molybdenum steel, gun-metal finish.

General ordering data

Type	Order No.	Version	GTIN (EAN)	Qty.
SDIS SL 0.6X3.5X100	1274660000	Assembly tool, Blade width (B): 3.5 mm, Blade length: 100 mm, Blade thickness (A): 0.6 mm	4050118072631	1 pc(s).

Slotted screwdriver



VDE insulated slot-head screwdriver, SDI DIN 7437, ISO 2380/2, drive output acc. to DIN 5264, ISO 2380/1. SoftFinish grip

General ordering data

Type	Order No.	Version	GTIN (EAN)	Qty.
SDIS 0.6X3.5X100	9008390000	Screwdriver, Blade width (B): 3.5 mm, Blade length: 100 mm, Blade thickness (A): 0.6 mm	4032248056354	1 pc(s).