

**RIDERSERIES RCI
SRC-I QV S**

Weidmüller Interface GmbH & Co. KG
Klingenbergstraße 16
D-32758 Detmold
Germany
Fon: +49 5231 1429-0
Fax: +49 5231 14292083
www.weidmueller.com



Cross-connector for bridging connections in the
RIDERSERIES RCI

General ordering data

Type	SRC-I QV S
Order No.	1132070000
Version	RIDERSERIES RCI, Cross-connector
GTIN (EAN)	4032248912087
Qty.	10 pc(s).

Data sheet

**RIDERSERIES RCI
SRC-I QV S**

Weidmüller Interface GmbH & Co. KG
Klingenbergstraße 16
D-32758 Detmold
Germany
Fon: +49 5231 1429-0
Fax: +49 5231 14292083
www.weidmueller.com

Technical data

Dimensions and weights

Net weight 6.7 g

Temperatures

Operating temperature -40 °C...85 °C Storage temperature -40 °C...85 °C

Cross-connection data

Rated current	12 A	Insulation	Yes
Electric shock protection	Yes	Colour	White
No. of cross-connected terminals	8	Pitch in mm (P)	15.2 mm
Version	can be cut to length		

General data

Version can be cut to length

Connection data

Pitch in mm (P) 15.2 mm

Classifications

ETIM 4.0	EC000489	ETIM 5.0	EC002586
ETIM 6.0	EC002586	eClass 6.2	27-14-11-40
eClass 7.1	27-37-92-08	eClass 8.1	27-37-92-08
eClass 9.0	27-37-16-92	eClass 9.1	27-37-16-92

Approvals

Approvals



ROHS Conform

Downloads

Brochure/Catalogue [CAT 4.2 ELECTR 15/16 EN](#)
Engineering Data [EPLAN, WSCAD](#)

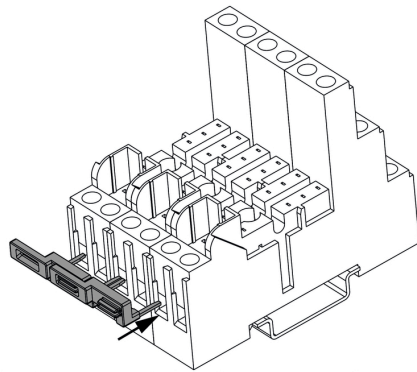
**RIDERSERIES RCI
SRC-I QV S**

Weidmüller Interface GmbH & Co. KG
Klingenbergstraße 16
D-32758 Detmold
Germany
Fon: +49 5231 1429-0
Fax: +49 5231 14292083
www.weidmueller.com

Drawings

Example of use

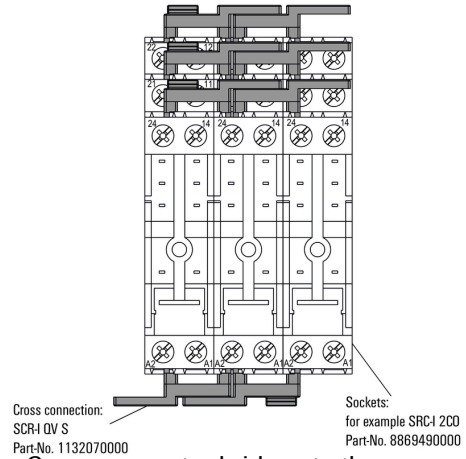
How to install cross connection



Plug the cross connection into wire-connection opening and fix it with tighten the screw

Detailed drawing

Example of use



Cross connection:
SRC-I QV S
Part-No. 1132070000

Sockets:
for example SRC-I 200
Part-No. 8869490000

Cross-connector bridges to the same connection on the neighbouring base